

Professional Digital Two-Way Radio System

# MOTOTRBO™ Repeater

*Basic Service Manual*

DR 3000 Repeater





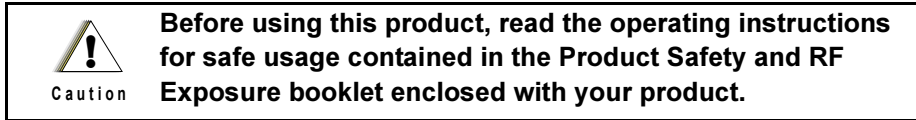
**DR 3000**  
**UHF Range 1**  
**MOTOTRBO™ Repeater**  
**Basic Service Manual**

# Foreword

This manual covers all models of the MOTOTRBO Repeater, unless otherwise specified. It includes all the information necessary to maintain peak product performance and maximum working time, using levels 1 and 2 maintenance procedures. This level of service goes down to the board replacement level and is typical of some local service centers, Motorola Authorized Dealers, self-maintained customers, and distributors.

For details on repeater operation or component-level troubleshooting, refer to the applicable manuals available separately.

## Product Safety and RF Exposure Compliance



### ATTENTION!

**This repeater is restricted to occupational use only to satisfy ICNIRP/FCC RF energy exposure requirements. Before using this product, read the RF energy awareness information and operating instructions in the Product Safety and RF Exposure booklet enclosed with your product (Motorola Publication part number 6866537D37) to ensure compliance with RF energy exposure limits.**

**For a list of Motorola-approved antennas, and other accessories, visit the following web site which lists approved accessories: <http://www.motorola.com/governmentandenterprise>**

## Computer Software Copyrights

The Motorola products described in this manual may include copyrighted Motorola computer programs stored in semiconductor memories or other media. Laws in the United States and other countries preserve for Motorola certain exclusive rights for copyrighted computer programs, including, but not limited to, the exclusive right to copy or reproduce in any form the copyrighted computer program. Accordingly, any copyrighted Motorola computer programs contained in the Motorola products described in this manual may not be copied, reproduced, modified, reverse-engineered, or distributed in any manner without the express written permission of Motorola. Furthermore, the purchase of Motorola products shall not be deemed to grant either directly or by implication, estoppel, or otherwise, any license under the copyrights, patents or patent applications of Motorola, except for the normal non-exclusive license to use that arises by operation of law in the sale of a product.

## Document Copyrights

No duplication or distribution of this document or any portion thereof shall take place without the express written permission of Motorola. No part of this manual may be reproduced, distributed, or transmitted in any form or by any means, electronic or mechanical, for any purpose without the express written permission of Motorola.

## Disclaimer

The information in this document is carefully examined, and is believed to be entirely reliable. However, no responsibility is assumed for inaccuracies. Furthermore, Motorola reserves the right to make changes to any products herein to improve readability, function, or design. Motorola does not assume any liability arising out of the applications or use of any product or circuit described herein; nor does it cover any license under its patent rights nor the rights of others.

## Trademarks

MOTOROLA and the Stylized M logo are registered in the U.S. Patent & Trademark Office. All other product or service names are the property of their respective owners.

© 2007 by Motorola, Inc.  
All rights reserved.

---

## Document History

The following major changes have been implemented in this manual since the previous edition:

| Edition      | Description     | Date      |
|--------------|-----------------|-----------|
| 6866576D03-A | Initial Release | Feb. 2007 |

## Notes

---

# Table of Contents

|  |                |
|--|----------------|
| <b>Foreword</b> .....  | <b>ii</b>      |
| Product Safety and RF Exposure Compliance .....                      | ii             |
| Computer Software Copyrights .....                                   | ii             |
| Document Copyrights.....   | ii             |
| Disclaimer.....  | ii             |
| Trademarks .....   | ii             |
| <br><b>Document History</b> .....                                    | <br><b>iii</b> |
| <br><b>Chapter 1 Introduction</b> .....                              | <br><b>1-1</b> |
| 1.1 Notations Used in This Manual.....                               | 1-1            |
| 1.2 Repeater Description .....                                       | 1-1            |
| 1.3 MOTOTRBO Repeater Model Numbering Scheme.....                    | 1-2            |
| 1.4 UHF1 High Power MOTOTRBO Repeater (403-470 MHz) Model Chart..... | 1-3            |
| 1.5 Specifications.....  | 1-4            |
| <br><b>Chapter 2 Test Equipment and Service Aids</b> .....           | <br><b>2-1</b> |
| 2.1 Recommended Test Equipment .....                                 | 2-1            |
| 2.2 Service Aids.....  | 2-2            |
| 2.3 Programming Cables .....   | 2-2            |
| <br><b>Chapter 3 Transceiver Performance Testing</b> .....           | <br><b>3-1</b> |
| 3.1 General .....  | 3-1            |
| 3.2 Setup .....  | 3-1            |
| <br><b>Chapter 4 Repeater Tuning and Programming</b> .....           | <br><b>4-1</b> |
| 4.1 Introduction .....   | 4-1            |
| 4.2 Customer Programming Software Setup .....                        | 4-1            |
| 4.3 Repeater Tuning Setup.....                                       | 4-2            |
| <br><b>Chapter 5 Disassembly/Reassembly Procedures</b> .....         | <br><b>5-1</b> |
| 5.1 Introduction .....   | 5-1            |
| 5.2 Preventive Maintenance .....                                     | 5-1            |
| 5.2.1 Inspection .....   | 5-1            |
| 5.2.2 Cleaning Procedures .....                                      | 5-1            |
| 5.3 Safe Handling of CMOS and LDMOS Devices .....                    | 5-2            |
| 5.4 Repair Procedures and Techniques — General .....                 | 5-3            |
| 5.5 Disassembling and Reassembling the Repeater — General .....      | 5-4            |

|  |  |                   |
|--|--|-------------------|
| 5.6  | Disassembly Procedures — Detailed .....                                      | 5-4               |
| 5.6.1  | Disassembly of Cover.....  | 5-4               |
| 5.6.2  | Disassembly of Repeater Indicator Board .....                                | 5-5               |
| 5.6.3  | Disassembly of Fan .....   | 5-6               |
| 5.6.4  | Removing Transmit Radio .....  | 5-7               |
| 5.6.4.1  | Removing Thermal Pad and Heatsink .....                                      | 5-8               |
| 5.6.5  | Removing Receive Radio, Power Supply and Connector Board Assembly .....      | 5-8               |
| 5.6.5.1  | Disassembly of Receive Radio .....   | 5-10              |
| 5.6.5.2  | Disassembly of Connector Board Assembly .....                                | 5-10              |
| 5.6.5.3  | Disassembly of Power Supply .....  | 5-10              |
| 5.7  | Transmit and Receive Radio Disassembly — Detailed .....                      | 5-11              |
| 5.7.1  | Transceiver Board and Receiver Board Removal .....                           | 5-11              |
| 5.8  | Transmit and Receive Radio Reassembly — Detailed .....                       | 5-14              |
| 5.8.1  | Transceiver Board and Receiver Board Reassembly .....                        | 5-15              |
| 5.8.2  | Thermal Pad Replacement Procedure .....                                      | 5-19              |
| 5.8.3  | Reassembly of Receive Radio, Power Supply and Connector Board Assembly ..... | 5-21              |
| 5.8.3.1  | Reassembly of Power Supply .....   | 5-21              |
| 5.8.3.2  | Reassembly of Receive Radio .....  | 5-21              |
| 5.8.3.3  | Reassembly of Connector Board Assembly .....                                 | 5-21              |
| 5.8.3.4  | Reassembly of the Receive Bracket Assembly to the Enclosure .....            | 5-21              |
| 5.8.4  | Reassembly of Transmit Radio.....  | 5-22              |
| 5.8.4.1  | Replacing the Thermal Pad and Heatsink .....                                 | 5-22              |
| 5.8.4.2  | Reassembly of the Transmit Bracket Assembly to the Enclosure .....           | 5-22              |
| 5.8.5  | Reassembly of Fan.....   | 5-23              |
| 5.8.6  | Reassembly of Repeater Indicator Board.....                                  | 5-23              |
| 5.8.7  | Reassembly of Cover .....  | 5-23              |
| 5.9  | Repeater Exploded Mechanical Views and Parts Lists.....                      | 5-24              |
| 5.10   | Torque Chart.....  | 5-27              |
| <br><b>Chapter 6 Basic Troubleshooting .....</b>                       |  | <b>6-1</b>        |
| 6.1  | Introduction .....   | 6-1               |
| 6.1.1  | High Power RF Precaution .....   | 6-1               |
| 6.2  | Replacement Service Kit Procedures .....                                     | 6-1               |
| 6.3  | LED Indicator Descriptions .....   | 6-2               |
| <br><b>Appendix A EMEA Regional Warranty, Service and Support.....</b> |  | <b>A-1</b>        |
| A.1  | Warranty and Service Support.....  | A-1               |
| A.2  | European Radio Support Centre (ERSC) .....                                   | A-2               |
| A.3  | Piece Parts.....   | A-2               |
| A.4  | Technical Support .....  | A-3               |
| A.5  | Further Assistance From Motorola.....  | A-3               |
| <br><b>Glossary .....</b>  |  | <b>Glossary-1</b> |

## List of Figures

|              |   |      |
|--------------|---|------|
| Figure 1-1.  | Repeater Model Numbering Scheme .....   | 1-2  |
| Figure 2-1.  | Mobile & Repeater Rear Programming Cable PMKN4010_ .....                      | 2-2  |
| Figure 2-2.  | Mobile & Repeater Rear Programming, Testing & Alignment Cable PMKN4016_ ..... | 2-3  |
| Figure 4-1.  | Customer Programming Software Setup from Rear Accessory Connector .....       | 4-1  |
| Figure 4-2.  | Repeater Tuning Equipment Setup .....   | 4-2  |
| Figure 5-1.  | Removing Top Cover of Repeater Enclosure .....                                | 5-4  |
| Figure 5-2.  | Disconnecting Ethernet Cable and Flex Cable .....                             | 5-5  |
| Figure 5-3.  | Repeater Indicator Board Disassembly .....                                    | 5-6  |
| Figure 5-4.  | Fan Orientation .....   | 5-6  |
| Figure 5-5.  | Tx Radio Disassembly .....  | 5-7  |
| Figure 5-6.  | Receive Radio Removal .....   | 5-9  |
| Figure 5-7.  | Die Cast Cover Removal .....  | 5-11 |
| Figure 5-8.  | Accessory Connector Removal .....   | 5-12 |
| Figure 5-9.  | RF/DC Retention Clips Removal .....   | 5-12 |
| Figure 5-10. | Transceiver Board Removal .....   | 5-13 |
| Figure 5-11. | Thermal Pads and Shield Gasketing on Chassis and Die Cast Cover .....         | 5-14 |
| Figure 5-12. | Transceiver Board with Thermal Pads .....                                     | 5-14 |
| Figure 5-13. | Replacing GPS Plug .....  | 5-15 |
| Figure 5-14. | Placing the Transceiver Board in the Chassis .....                            | 5-15 |
| Figure 5-15. | Inserting RF/DC Retention Clips .....   | 5-16 |
| Figure 5-16. | Inserting Accessory Connector .....   | 5-16 |
| Figure 5-17. | Assembling of PA Pad and O-ring .....   | 5-17 |
| Figure 5-18. | Assembling Die Cast Cover onto Chassis .....                                  | 5-18 |
| Figure 5-19. | Screw Sequence to Tighten Die Cast Cover .....                                | 5-19 |
| Figure 5-20. | Replacing Thermal Pads .....  | 5-19 |
| Figure 5-21. | Aligning Driver Pad on Chassis .....  | 5-20 |
| Figure 5-22. | Placing Thermal Pads on PA and Transistor Components .....                    | 5-20 |
| Figure 5-23. | Fan Orientation .....   | 5-23 |
| Figure 5-24. | Repeater Assembly Exploded View .....   | 5-24 |
| Figure 5-25. | Receive Bracket and Radio Assembly Exploded View .....                        | 5-25 |
| Figure 5-26. | Transmit Bracket and Radio Assembly Exploded View .....                       | 5-25 |
| Figure 5-27. | Front Panel Complete Assembly Exploded View .....                             | 5-26 |



---

## List of Tables

|            |   |      |
|------------|---|------|
| Table 1-1. | Frequency Ranges and Power Levels .....         | 1-1  |
| Table 2-1. | Recommended Test Equipment .....                | 2-1  |
| Table 2-2. | Service Aids .....                              | 2-2  |
| Table 3-1. | Initial Equipment Control Settings .....        | 3-1  |
| Table 3-2. | Receiver Performance Checks .....               | 3-2  |
| Table 4-1. | Repeater Software Program Kits .....            | 4-1  |
| Table 5-1. | Lead Free Solder Wire Part Number List .....    | 5-3  |
| Table 5-2. | Lead Free Solder Paste Part Number List .....   | 5-3  |
| Table 5-3. | Repeater Exploded View Parts List .....         | 5-26 |
| Table 5-4. | Torque Specifications for Nuts and Screws ..... | 5-27 |
| Table 6-1. | LED Indicator Descriptions .....                | 6-2  |



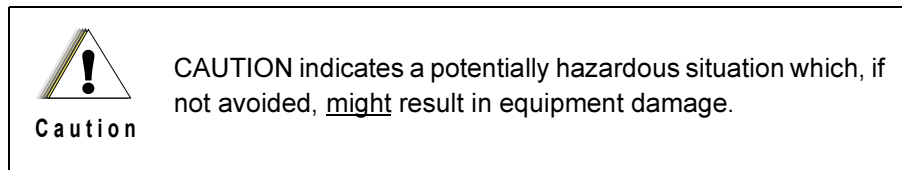
---

# Chapter 1 Introduction

## 1.1 Notations Used in This Manual

Throughout the text in this publication, you will notice the use of note and caution notations. These notations are used to emphasize that safety hazards exist, and due care must be taken and observed.

**NOTE:** An operational procedure, practice, or condition that is essential to emphasize.



## 1.2 Repeater Description

The MOTOTRBO Repeater is Motorola's newest two-way digital and analog repeater designed for your organization's most demanding needs. The repeater is available in the following frequency ranges and power levels.

*Table 1-1. Frequency Ranges and Power Levels*

| Frequency Band | Bandwidth   | Power Level |
|----------------|-------------|-------------|
| UHF R1         | 403–470 MHz | 25-40 Watts |

This repeater is among the most sophisticated two-way repeaters available. It has a new robust design for users who need high performance, quality, and reliability in their daily communications. This new architecture provides the capability of supporting a multitude of legacy and advanced features resulting in a more cost-effective two-way repeater communications solution.

---

### 1.3 MOTOTRBO Repeater Model Numbering Scheme

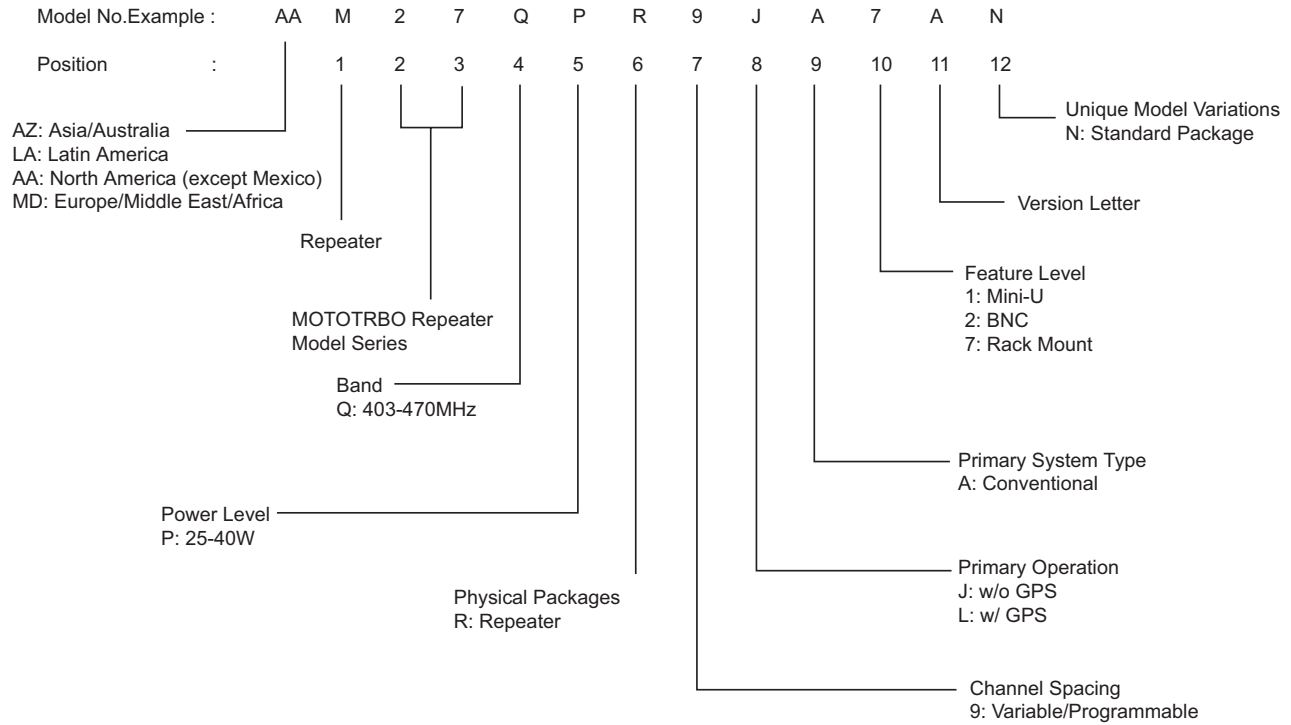


Figure 1-1. Repeater Model Numbering Scheme

## 1.4 UHF1 High Power MOTOTRBO Repeater (403-470 MHz) Model Chart

| <b>UHF1 403-470 MHz, 25-40W</b> |  |   |
|---------------------------------|--|---|
| <b>Model</b>                    |  | <b>Description</b>                                    |
| MDM27QPR9JA7AN                  |  | 403-470 MHz, 25-40W, MOTOTRBO Repeater                |
|                                 | <b>Item</b>                            | <b>Description</b>                                    |
| X                               | PMLN4815_                              | Connector Board Assembly                              |
| X                               | PMLN4814_                              | Repeater Indicator Board                              |
| X                               | PMUE2390_S                             | Repeater Service Kit                                  |
| X                               | 3002695D05<br>NNTN7373_R<br>NNTN7374_R | Power Supply UK<br>Power Supply US<br>Power Supply EU |
| X                               | 6866537D37                             | Product Safety and RF Exposure Booklet                |

*X = Item Included*

*\_ = the latest version kit. When ordering a kit, refer to your specific kit for the suffix number.*

## 1.5 Specifications

| General                            |   |
|------------------------------------|---|
| Specification                      | UHF1  |
| Channel Capacity                   | 1   |
| Technical RF Output                | 25-40W  |
| Frequency                          | 403-470 MHz                                       |
| Dimensions (HxWxL)                 | 132.6 mm x 482.6 mm x 296.5 mm                    |
| Weight                             | 14 kg   |
| Voltage Requirements               | 100-240 V AC 47-63 Hz (13.6 V DC)                 |
| Current Drain: Standby<br>Transmit | 0.5 A (1 A DC typical)<br>1.5 A (11 A DC typical) |
| Operating Temperature Range        | -30°C to +60°C                                    |
| Max Duty Cycle                     | 100%  |

| Receiver                             |  |
|--------------------------------------|--|
| Specification                        | UHF1   |
| Frequency                            | 403-470 MHz  |
| Channel Spacing                      | 12.5 kHz/25 kHz  |
| Frequency Stability (-30°C to +60°C) | ±0.5 ppm   |
| Analog Sensitivity                   | 0.30 $\mu$ V (12 dB SINAD)<br>0.22 $\mu$ V (typical) (12 dB SINAD)<br>0.40 $\mu$ V (20 dB SINAD) |
| Digital Sensitivity                  | 5% BER: 0.3 $\mu$ V  |
| Intermodulation                      | 70 dB  |
| Adjacent Channel Selectivity:        | 60 dB @ 12.5 kHz, 70 dB @ 25 kHz   |
| Spurious Rejection                   | 70 dB  |
| Audio Distortion @ Rated Audio       | 3% (typical)   |
| Hum and Noise                        | -40 dB @ 12.5 kHz<br>-45 dB @ 25 kHz   |
| Audio Response                       | +1, -3 dB  |
| Conducted Spurious Emission          | -57 dBm  |

| <b>Transmitter</b>                   |  |
|--------------------------------------|--|
| <b>Specification</b>                 | <b>UHF1</b>                              |
| Frequency                            | 403-470 MHz                              |
| Channel Spacing                      | 12.5 kHz/25 kHz                          |
| Frequency Stability (-30°C to +60°C) | ±0.5 ppm                                 |
| Power Output                         | 25-40 W                                  |
| Modulation Limiting                  | ±2.5 kHz @ 12.5 kHz<br>±5.0 kHz @ 25 kHz |
| FM Hum and Noise                     | -40 dB @ 12.5 kHz<br>-45 dB @ 25 kHz     |
| Conducted/Radiated Emission          | -36 dBm < 1 GHz<br>-30 dBm > 1 GHz       |
| Adjacent Channel Power               | 60 dB @ 12.5 kHz<br>70 dB @ 25 kHz       |
| Audio Response                       | +1, -3 dB                                |
| Audio Distortion                     | 3%                                       |
| Digital Vocoder Type                 | AMBE++                                   |
| Digital Protocol                     | ETSI-TS102 361-1                         |

**Conforms to:**

ETSI TS 102 361 (Parts 1, 2 & 3) - ETSI DMR Standard

1999/5/EC (R&TTE - Radio and Telecommunications Terminal Equipment)

2002/95/EC (RoHS - Banned Substances)

2002/96/EC (WEEE - Waste Electrical and Electronic Equipment)

94/62/EC (Packaging and Packaging Waste)

Radio meets applicable regulatory requirements.

Specifications subject to change without notice. All specifications shown are typical.

## Notes



---

## Chapter 2 Test Equipment and Service Aids

### 2.1 Recommended Test Equipment

The list of equipment contained in Table 2-1 includes most of the standard test equipment required for servicing Motorola repeaters.

Table 2-1. Recommended Test Equipment

| Equipment               | Characteristic   | Example  | Application   |
|-------------------------|--|--|---|
| Service Monitor         | Can be used as a substitute for items marked with an asterisk (*)        | Aeroflex 2975 ( <a href="http://www.aeroflex.com">www.aeroflex.com</a> ), Motorola R2670, or equivalent  | Frequency/deviation meter and signal generator for wide-range troubleshooting and alignment |
| Digital RMS Multimeter* | 100 $\mu$ V to 300 V<br>5 Hz to 1 MHz<br>10 Meg Ohm Impedance            | Fluke 179 or equivalent ( <a href="http://www.fluke.com">www.fluke.com</a> )   | AC/DC voltage and current measurements. Audio voltage measurements                          |
| RF Signal Generator*    | 100 MHz to 1 GHz<br>-130 dBm to +10 dBm<br>FM Modulation 0 kHz to 10 kHz | Agilent N5181A ( <a href="http://www.agilent.com">www.agilent.com</a> ), Ramsey RSG1000B ( <a href="http://www.ramseyelectronics.com">www.ramseyelectronics.com</a> ), or equivalent | Receiver measurements   |
| Oscilloscope*           | 2 Channel<br>50 MHz Bandwidth<br>5 mV/div to 20 V/div                    | Leader LS8050 ( <a href="http://www.leaderusa.com">www.leaderusa.com</a> ), Tektronix TDS1001b ( <a href="http://www.tektronix.com">www.tektronix.com</a> ), or equivalent           | Waveform measurements   |
| Power Meter and Sensor* | 5% Accuracy<br>100 MHz to 500 MHz<br>50 Watts                            | Bird 43 Thruline Watt Meter ( <a href="http://www.bird-electronic.com">www.bird-electronic.com</a> ) or equivalent   | Transmitter power output measurements   |
| RF Millivolt Meter      | 100 mV to 3 V RF<br>10 kHz to 1 GHz                                      | Boonton 92EA ( <a href="http://www.boonton.com">www.boonton.com</a> ) or equivalent  | RF level measurements   |

---

## 2.2 Service Aids

Table 2-2 lists the service aids recommended for working on the repeater. While all of these items are available from Motorola, most are standard workshop equipment items, and any equivalent item capable of the same performance may be substituted for the item listed.

Table 2-2. Service Aids

| Motorola Part Number | Description   | Application  |
|----------------------|---|--|
| RLN4460_             | Test Set  | Enables connection to audio/accessory jack. Allows switching for radio testing.                                    |
| GMVN5141_            | Customer Programming Software on CD-ROM                       | Allows servicer to program repeater parameters, tune and troubleshoot repeaters.                                   |
| PMKN4016_            | Mobile & Repeater Rear Programming, Testing & Alignment Cable | Connects the radio's rear connector to a USB port for radio programming, data applications, testing and alignment. |
| PMKN4010_            | Mobile & Repeater Rear Programming Cable                      | Connects the radio's rear connector to a USB port for radio programming and data applications.                     |

## 2.3 Programming Cables

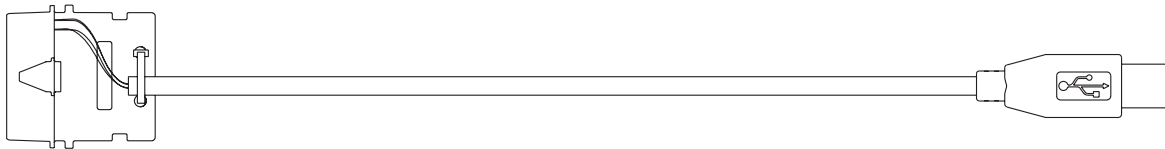


Figure 2-1. Mobile & Repeater Rear Programming Cable PMKN4010\_

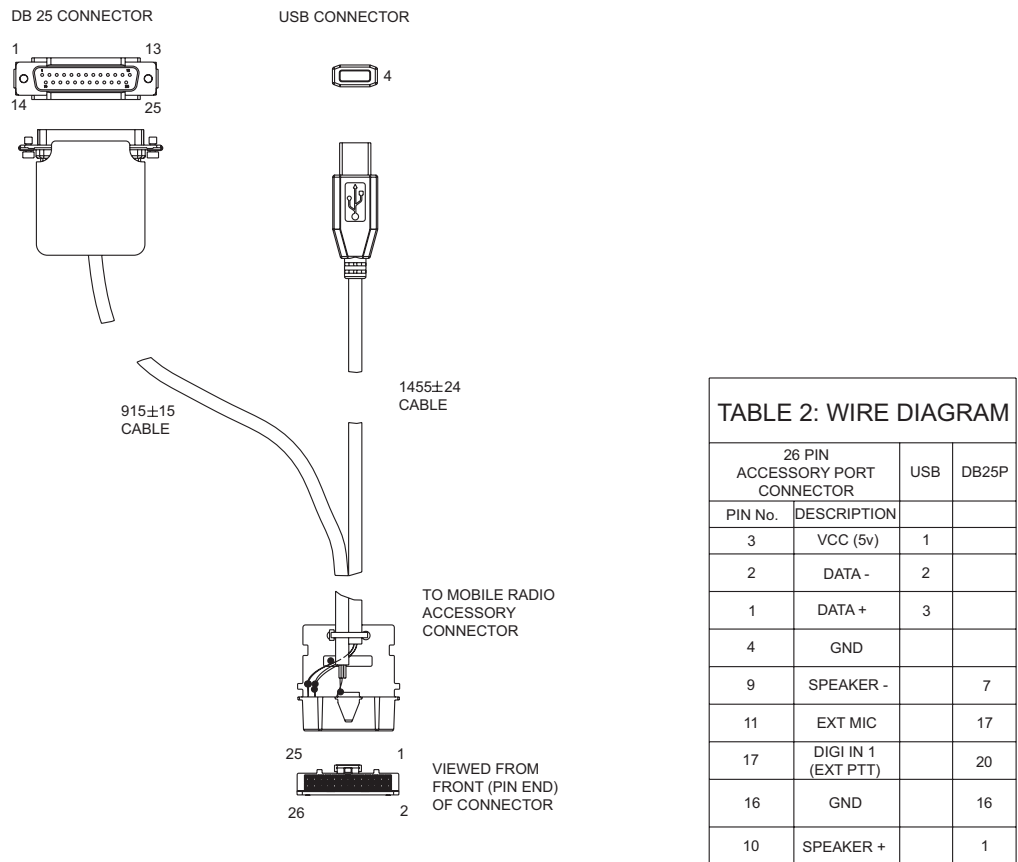


Figure 2-2. Mobile & Repeater Rear Programming, Testing & Alignment Cable PMKN4016\_

## Notes

---

## Chapter 3 Transceiver Performance Testing

### 3.1 General

The MOTOTRBO Repeater meets published specifications through their manufacturing process by utilizing high-accuracy laboratory-quality test equipment. The recommended field service equipment approaches the accuracy of the manufacturing equipment with few exceptions. This accuracy must be maintained in compliance with the manufacturer's recommended calibration schedule.

**NOTE:** Although these radios function in digital and analog modes, all testing is done in analog mode.

### 3.2 Setup

Supply voltage is 120/240 VAC. The equipment required for alignment procedures is connected as shown in the Repeater Tuning Equipment Setup Diagram, Figure 4-2.

Initial equipment control settings should be as indicated in Table 3-1. Table 3-2 lists Receiver Performance Checks information.

*Table 3-1. Initial Equipment Control Settings*

| Service Monitor   | Test Set                 |
|---|--------------------------|
| Monitor Mode: Power Monitor   | Speaker set: A           |
| RF Attenuation: -70   | Speaker/load:<br>Speaker |
| AM, CW, FM: FM  | PTT: OFF                 |
| Oscilloscope Source: Mod<br>Oscilloscope Horizontal: 10 mSec/Div<br>Oscilloscope Vertical: 2.5 kHz/Div<br>Oscilloscope Trigger: Auto<br>Monitor Image: Hi<br>Monitor Bandwidth: Narrow<br>Monitor Squelch: middle setting<br>Monitor Vol: 1/4 setting |                          |

---

Table 3-2. Receiver Performance Checks

| Test Name  | Communications Analyzer  | Radio   | Test Set   | Comment  |
|--|--|---|--|--|
| Rated Audio  | Mode: GEN<br>Output level: 1.0 mV RF<br>4th channel test frequency*<br>Mod: 1kHz tone at 3 kHz deviation<br>Monitor: DVM: AC Volts | Use tuner tool to program repeater to an appropriate test frequency with carrier squelch. | PTT to OFF (center), meter selector to Audio PA                            | Set volume to 7.75 Vrms via tuner tool.                          |
| Distortion   | As above, except to distortion   | As above  | As above   | Distortion <5.0%   |
| Sensitivity (SINAD)  | As above, except SINAD, lower the RF level for 12 dB SINAD.  | As above  | PTT to OFF (center)  | RF input to be <0.3 $\mu$ V                                      |
| Noise Squelch Threshold (only radios with conventional system need to be tested) | RF level set to 1mV RF   | As above  | PTT to OFF (center), meter selection to Audio PA, speaker/ load to speaker | Set volume to 7.75 Vrms via tuner tool.                          |
|  | As above, except change frequency to a conventional system. Raise RF level from zero until radio unsquelches.                      | out of TEST MODE; select a conventional system  | As above   | Unsquelch to occur at <0.25 $\mu$ V. Preferred SINAD = 9 - 10 dB |

---

# Chapter 4 Repeater Tuning and Programming

## 4.1 Introduction

This chapter provides an overview of the MOTOTRBO Customer Programming Software (CPS), as well as the Tuner application, which are all designed for use on Windows 2000/XP operating system. These programs are available in one kit as listed in the Table 4-1. An Installation Guide is also included with the kit.

**NOTE:** Refer to the appropriate program on-line help files for the programming procedures.

Table 4-1. Repeater Software Program Kits

| Description                                       | Kit Number |
|---|------------|
| MOTOTRBO CPS, Tuner and AirTracer Applications CD | GMVN5141_  |

## 4.2 Customer Programming Software Setup

The Customer Programming Software setup, shown in Figure 4-1 is used to program the repeater.

**NOTE:** Refer to the appropriate program on-line help files for the programming procedures.

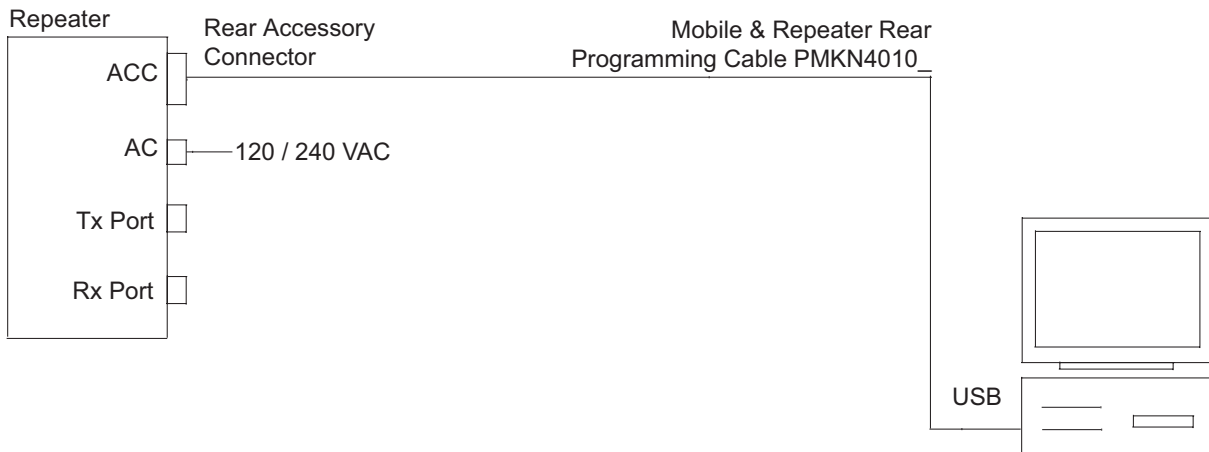


Figure 4-1. Customer Programming Software Setup from Rear Accessory Connector

---

### 4.3 Repeater Tuning Setup

A personal computer (PC), Windows 2000/XP and a tuner program (which is available as part of the MOTOTRBO CPS kit) are required to tune the repeater. To perform the tuning procedures, the repeater must be connected to the PC and test equipment setup as shown in Figure 4-2.

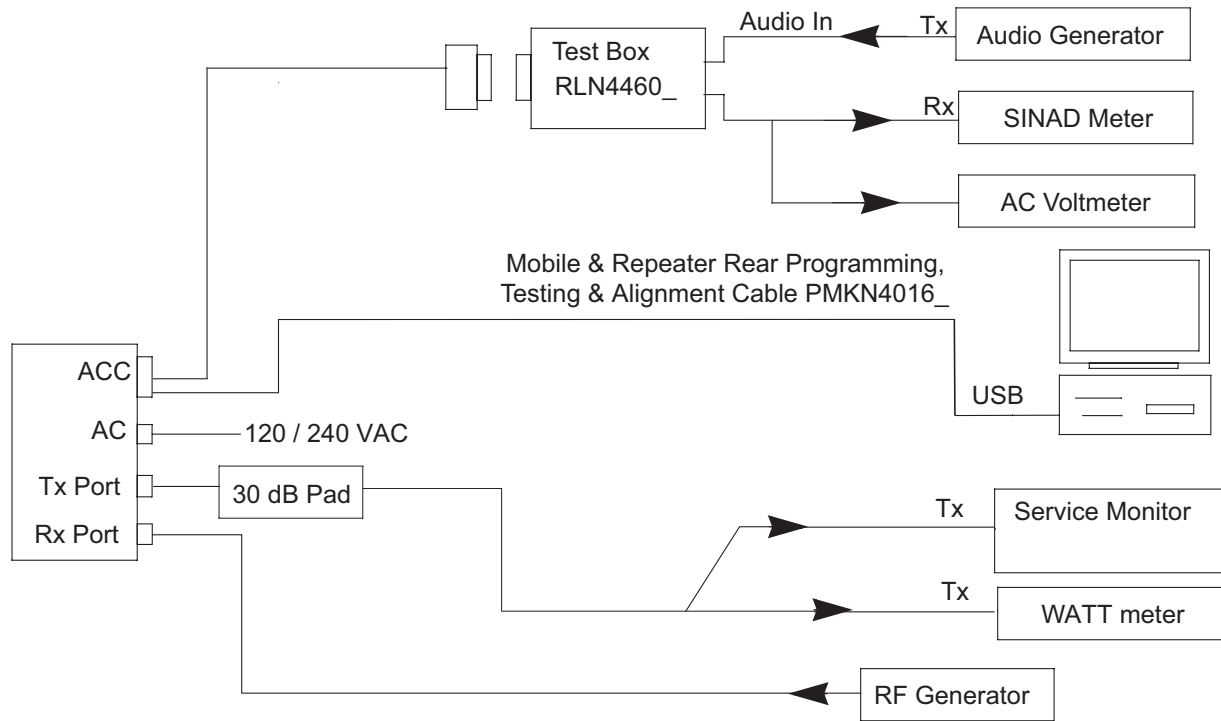


Figure 4-2. Repeater Tuning Equipment Setup



---

# Chapter 5 Disassembly/Reassembly Procedures

## 5.1 Introduction

This chapter provides details about the following:

- Preventive maintenance (inspection and cleaning).
- Safe handling of CMOS and LDMOS devices.
- Disassembly and reassembly of the repeater.
- Disassembly and reassembly of the Transmit and Receive radios.
- Repair procedures and techniques.

## 5.2 Preventive Maintenance

Periodic visual inspection and cleaning is recommended.

### 5.2.1 Inspection

Check that the external surfaces of the repeater are clean, and that all external controls and switches are functional. It is not recommended to inspect the interior electronic circuitry.

### 5.2.2 Cleaning Procedures

The following procedures describe the recommended cleaning agents and the methods to be used when cleaning the external and internal surfaces of the repeater. External surfaces include the top cover and repeater enclosure.

Periodically clean smudges and grime from exterior enclosure. Use a soft, non-abrasive cloth moistened in a mild soap and water solution. Rinse the surface using a second cloth moistened in clean water, and clean any dirt or debris from the fan grill and louvers on the front side.

**NOTE:** Internal surfaces should be cleaned only when the repeater is disassembled for service or repair.

The only recommended agent for cleaning the external repeater surfaces is a 0.5% solution of a mild dishwashing detergent in water. The only factory recommended liquid for cleaning the printed circuit boards and their components is isopropyl alcohol (70% by volume).

#### Cleaning Internal Circuit Boards and Components

Isopropyl alcohol (70%) may be applied with a stiff, non-metallic, short-bristled brush to dislodge embedded or caked materials located in hard-to-reach areas. The brush stroke should direct the dislodged material out and away from the inside of the repeater. Make sure that controls or tunable components are not soaked with alcohol. Do not use high-pressure air to hasten the drying process since this could cause the liquid to collect in unwanted places. Once the cleaning process is complete, use a soft, absorbent, lintless cloth to dry the area. Do not brush or apply any isopropyl alcohol to the top cover and repeater enclosure.

**NOTE:** Always use a fresh supply of alcohol and a clean container to prevent contamination by dissolved material (from previous usage).

---

### 5.3 Safe Handling of CMOS and LDMOS Devices

Complementary metal-oxide semiconductor (CMOS) devices are used in this family of repeaters, and are susceptible to damage by electrostatic or high voltage charges. Damage can be latent, resulting in failures occurring weeks or months later. Therefore, special precautions must be taken to prevent device damage during disassembly, troubleshooting, and repair.

Handling precautions are mandatory for CMOS circuits and are especially important in low humidity conditions.

DO NOT attempt to disassemble the repeater without first referring to the following CAUTION statement.



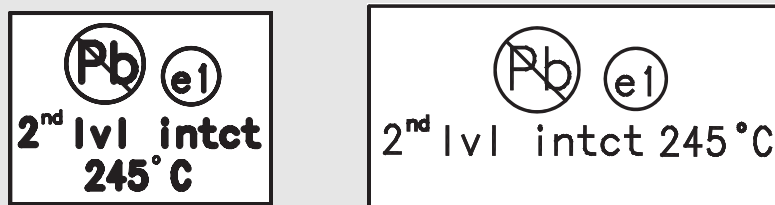
Caution

**This repeater contains static-sensitive devices. Do not open the repeater unless you are properly grounded. Take the following precautions when working on this unit:**

- Store and transport all CMOS devices in conductive material so that all exposed leads are shorted together. Do not insert CMOS devices into conventional plastic “snow” trays used for storage and transportation of other semiconductor devices.
- Ground the working surface of the service bench to protect the CMOS device. We recommend using the Motorola Static Protection Assembly (part number 0180386A82), which includes a wrist strap, two ground cords, a table mat, and a floor mat.
- Wear a conductive wrist strap in series with a 100k resistor to ground. (Replacement wrist straps that connect to the bench top covering are Motorola part number 4280385A59).
- Do not wear nylon clothing while handling CMOS devices.
- Do not insert or remove CMOS devices with power applied. Check all power supplies used for testing CMOS devices to be certain that there are no voltage transients present.
- When straightening CMOS pins, provide ground straps for the apparatus used.
- When soldering, use a grounded soldering iron.
- If at all possible, handle CMOS devices by the package and not by the leads. Prior to touching the unit, touch an electrical ground to remove any static charge that you may have accumulated. The package and substrate may be electrically common. If so, the reaction of a discharge to the case would cause the same damage as touching the leads.

## 5.4 Repair Procedures and Techniques — General

**NOTE** Environmentally Preferred Products (EPP) (refer to the marking on the printed circuit boards — examples shown below) were developed and assembled using environmentally preferred components and solder assembly techniques to comply with the European Union's **Restriction of Hazardous Substances (ROHS) Directive 2002/95/EC** and **Waste Electrical and Electronic Equipment (WEEE) Directive 2002/96/EC**. To maintain product compliance and reliability, use only the Motorola specified parts in this manual.



Any rework or repair on Environmentally Preferred Products must be done using the appropriate lead-free solder wire and lead-free solder paste as stated in the following table:

Table 5-1. Lead Free Solder Wire Part Number List

| Motorola Part Number | Alloy              | Flux Type   | Flux Content by Weight | Melting Point | Supplier Part number | Diameter | Weight      |
|----------------------|--------------------|-------------|------------------------|---------------|----------------------|----------|-------------|
| 1088929Y01           | 95.5Sn/3.8Ag/0.7Cu | RMA Version | 2.7-3.2%               | 217C          | 52171                | 0.015"   | 1lb spool   |
| 1088929Y02           | 95.5Sn/3.8Ag/0.7Cu | RMA Version | 2.7-3.2%               | 217C          | 52170                | 0.010"   | 0.5lb spool |
| 1088929Y03           | 95.5Sn/3.8Ag/0.7Cu | RMA Version | 2.7-3.2%               | 217C          | 52173                | 0.032"   | 1lb spool   |

Table 5-2. Lead Free Solder Paste Part Number List

| Motorola Part Number | Manufacturer Part Number | Viscosity                         | Type                  | Composition & Percent Metal      | Liquid Temperature |
|----------------------|--------------------------|-----------------------------------|-----------------------|----------------------------------|--------------------|
| 1085674C03           | NC-SMQ230                | 900-1000KCPs<br>Brookfield (5rpm) | Type 3<br>(-325/+500) | (95.5%Sn-3.8%Ag-0.7%Cu)<br>89.3% | 217°C              |

### Parts Replacement and Substitution

When damaged parts are replaced, identical parts should be used. If the identical replacement part is not locally available, check the parts list for the proper Motorola part number and order the part from the nearest Motorola Radio Products and Solutions Organization listed in Appendix A of this manual.

### Rigid Circuit Boards

This repeater uses bonded, multi-layer, printed circuit boards. Since the inner layers are not accessible, some special considerations are required when soldering and unsoldering components. The printed-through holes may interconnect multiple layers of the printed circuit. Therefore, exercise care to avoid pulling the plated circuit out of the hole.

When soldering near connector:

- Avoid accidentally getting solder in the connector.
- Be careful not to form solder bridges between the connector pins.
- Examine your work closely for shorts due to solder bridges.

## 5.5 Disassembling and Reassembling the Repeater — General

The following tools are required for disassembling the repeater:

- Small Flat Blade Screwdriver
- TORX™ T30 Driver Bit
- TORX™ T25 Driver Bit
- TORX™ T20 Driver Bit
- TORX™ T15 Driver Bit
- TORX™ T10 Driver Bit
- 7 mm Magnetic Socket Driver (extension of >150 mm)
- 16 mm Deep Well Socket Driver
- 19 mm Deep Well Socket Driver

If a unit requires more complete testing or service than is customarily performed at the basic level, please send repeater to a Motorola Service Center listed in Appendix A.

The following disassembly procedures should be performed only if necessary.

## 5.6 Disassembly Procedures — Detailed

The following are typical procedures to remove and replace the Transmit radio, Receive radio, Repeater Indicator Board, connector board assembly and other miscellaneous parts.

1. Power cord and all external cables must be disconnected before opening up repeater.
2. Take the proper grounding precautions as stated in Section 5.3: Safe Handling of CMOS and LDMOS Devices on page 5-2.
3. When disassembling repeater, retain all screws for reuse.

### 5.6.1 Disassembly of Cover

1. Remove the five screws that retain the cover to the housing as shown in Figure 5-1 using a T20 TORX™ driver.

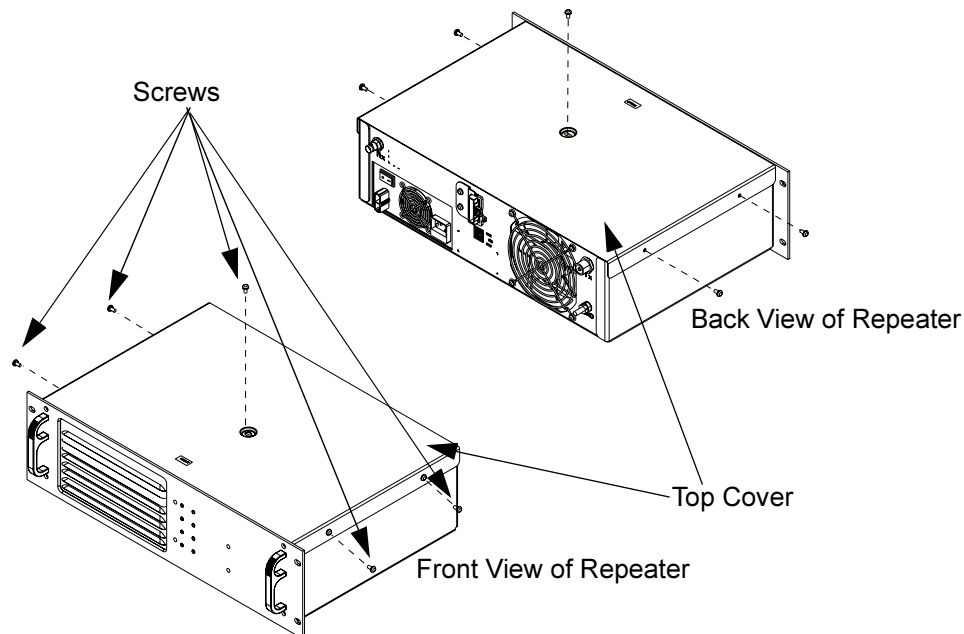


Figure 5-1. Removing Top Cover of Repeater Enclosure

## 5.6.2 Disassembly of Repeater Indicator Board

(Refer to Figure 5-2 and Figure 5-3)

1. Disconnect the blue ethernet cable from the ethernet connector on the Repeater Indicator Board.
2. Disconnect flex cable from 30-position connector on Repeater Indicator Board, noting orientation of cable which is identified with a solid black line. This is important for reassembly.

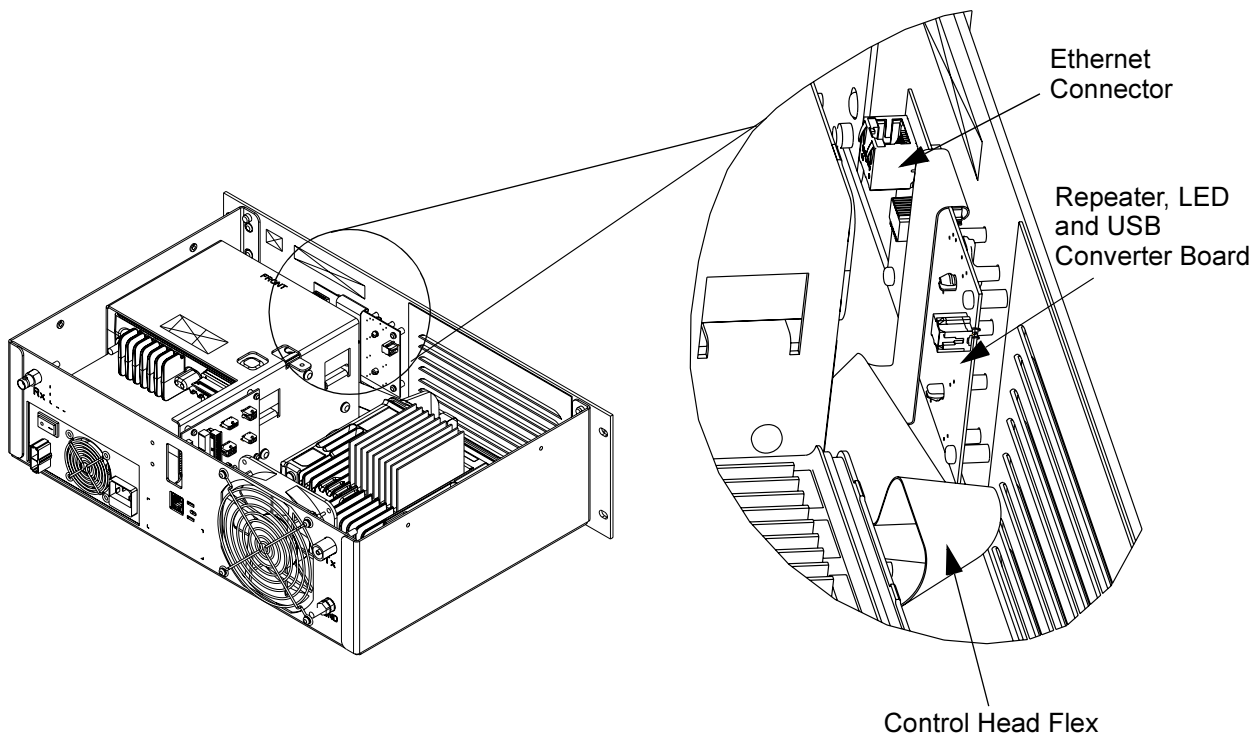


Figure 5-2. Disconnecting Ethernet Cable and Flex Cable

3. Detach the front panel by removing the four M6 screws located on the front face of panel using a T30 TORX™ driver.
4. Place the front panel on a flat surface with the Repeater Indicator Board facing up.
5. Detach the Repeater Indicator Board from front panel by removing the four M3 screws using a T10 TORX™ driver.
6. Hold the Repeater Indicator Board on its outer edge with your finger tips, squeeze together the catch of each clip and slightly press them through the board to remove the light guide.

7. Store Repeater Indicator Board in an anti-static bag when it is not being serviced.

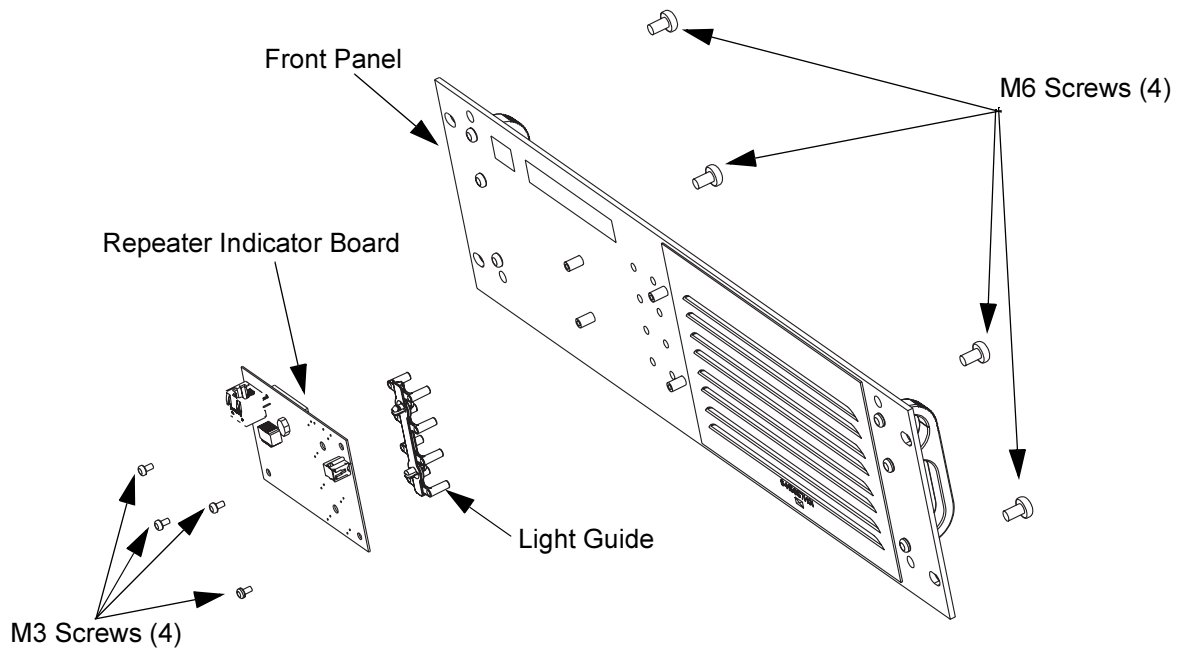


Figure 5-3. Repeater Indicator Board Disassembly

### 5.6.3 Disassembly of Fan

1. Unplug the fan cable from the mating connector on the connector board assembly.
2. Detach the fan assembly by removing the four screws that secure the fan grill and fan assembly to the back of the enclosure using a T15 TORX™ driver.
3. Carefully remove fan, noting position of arrow which identifies direction of air flow. This is important for reassembly.

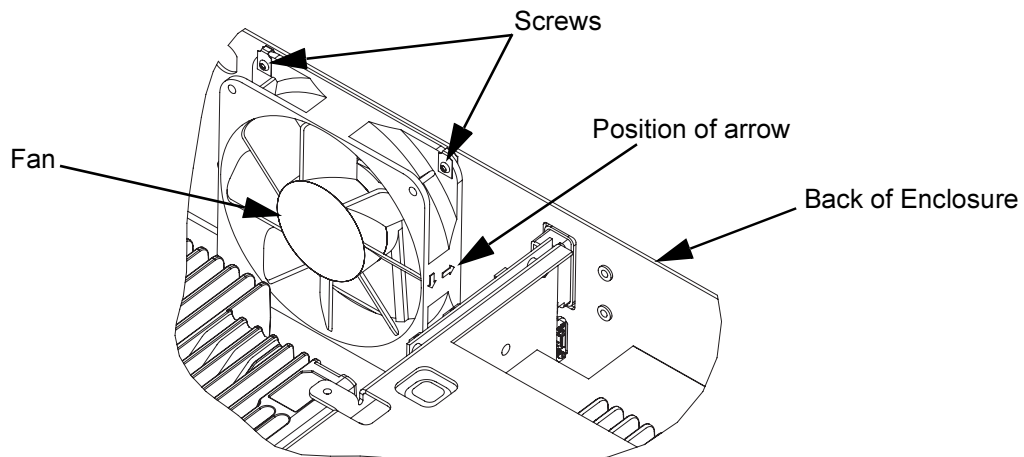


Figure 5-4. Fan Orientation

### 5.6.4 Removing Transmit Radio

(Refer to Figure 5-5)

1. Disconnect flex cable from 30-position connector on Transmit radio, noting orientation of cable which is identified with a solid blue line. This is important for reassembly.
2. Disconnect SSI flex cable from the connector on the Transmit radio, noting orientation of cable which is identified with a solid black line. This is important for reassembly.
3. Loosen and remove the four M4 lock nuts that secure the Transmit radio assembly with a 7 mm socket driver.
4. Disconnect the power cable from the Transmit radio.
5. Disconnect the antenna cable from the Transmit radio.
6. Disconnect the accessory connector from the Transmit radio.
7. Lift the Transmit radio assembly out of the enclosure and place on a flat surface.
8. Loosen and remove the two M5 screws and washers that secure the Transmit radio to the bracket using a T25 TORX™ driver.

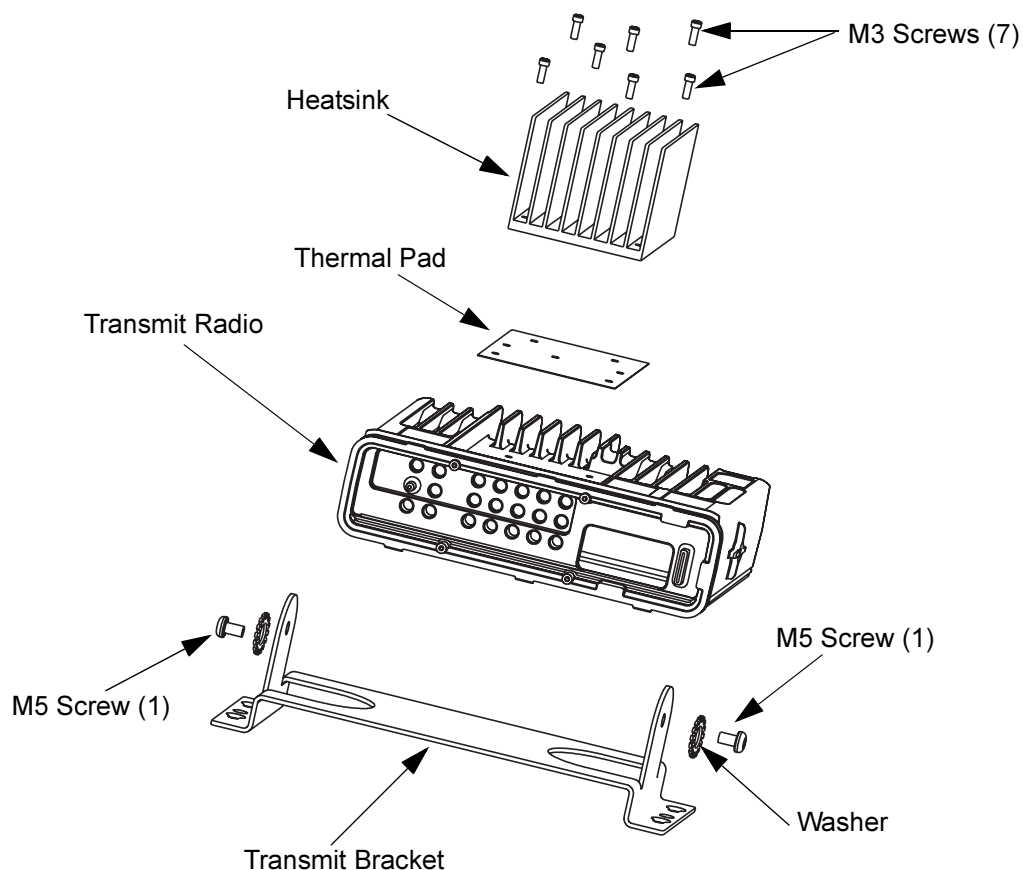


Figure 5-5. Tx Radio Disassembly

#### 5.6.4.1 Removing Thermal Pad and Heatsink

(Refer to Figure 5-5)

1. Remove all of the seven screws which secure the heatsink to the Transmit radio using a T10 TORX™ driver.
2. Remove the heatsink from the Transmit radio.
3. Peel off and discard the thermal pad.
4. Replace all worn parts.

#### 5.6.5 Removing Receive Radio, Power Supply and Connector Board Assembly

(Refer to Figure 5-6)

1. Disconnect SSI flex cable from the connector on the Receive radio, noting orientation of cable which is identified with a dotted line. This is important for reassembly.
2. Disconnect the antenna cable from the Receive radio.
3. Disconnect the power cable from the Receive radio.
4. Remove the two screws securing the retainer clip using a T20 TORX™ driver.
5. Remove accessory connector from the back side of repeater by inserting a flat blade screwdriver into the slot located on the top of the connector.
6. Disconnect all of the cables from their mating connectors located on the connector board assembly.
7. Loosen and remove the five M4 lock nuts that secure the Receive radio assembly with a 7 mm socket driver.

**NOTE:** The two lock nuts at the side on base will require a magnetic lock nut driver with extension of greater than 150 mm).

8. Slide Receive radio assembly slightly forward before lifting it out of the enclosure.



9. Take precaution not to damage the power supply or the connector board assembly and place assembly on a flat surface.

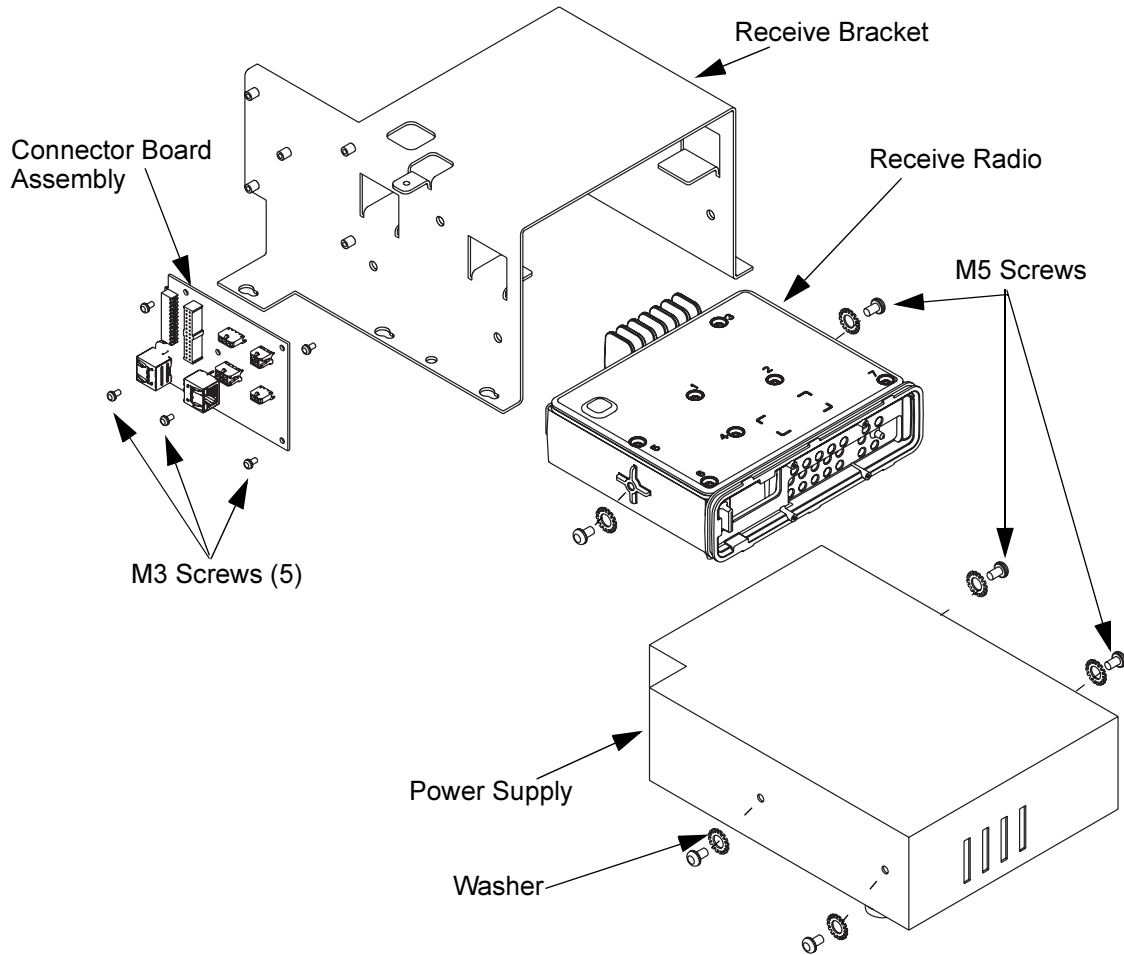


Figure 5-6. Receive Radio Removal

### 5.6.5.1 Disassembly of Receive Radio

(after Receive radio assembly is removed from repeater)

1. With assembly on a flat surface, loosen and remove the two M5 screws and washers that secure the Receive radio to the bracket using a T25 TORX™ driver.
2. Slide the Receive radio out of the bracket.

### 5.6.5.2 Disassembly of Connector Board Assembly

(after Receive radio assembly is removed from repeater)

1. With assembly on a flat surface, detach the connector board assembly from Receive radio assembly by removing the five M3 screws using a T10 TORX™ driver.
2. Store connector board assembly in anti-static bag when it is not being serviced.

### 5.6.5.3 Disassembly of Power Supply

(after Receive radio assembly is removed from repeater)

1. With assembly on a flat surface, loosen and remove the four M5 screws and washers that secure the power supply to the bracket using a T25 TORX™ driver.
2. Slide power supply out from bracket.
3. Disconnect Y-split cable from power supply before sending to manufacturer.

**NOTE:** Power Supply should be serviced by manufacturer.

## 5.7 Transmit and Receive Radio Disassembly — Detailed

To remove Transmit and Receive radios from the repeater, refer to Sections 5.6.4 and 5.6.5 accordingly.

### 5.7.1 Transceiver Board and Receiver Board Removal

1. Remove the seven screws from the die cast cover using the T20 TORX™ driver as shown in Figure 5-7.

**NOTE:** Do not remove the O-rings from the screws.

2. Lift the die cast cover from the chassis.

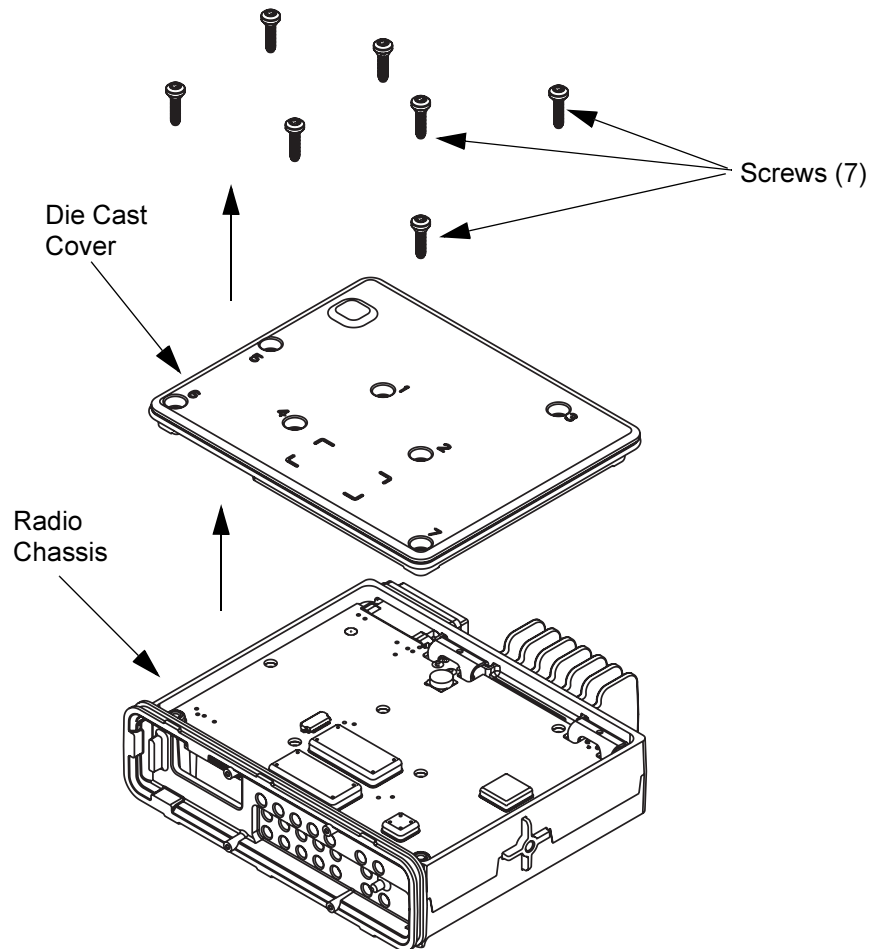



Figure 5-7. Die Cast Cover Removal.

3. Remove the accessory connector from the radio assembly by inserting a flat-blade screwdriver into the slot on the side of the connector as shown in Figure 5-8.

 **Caution** The accessory connector should never be removed when the cover is still assembled to the radio.

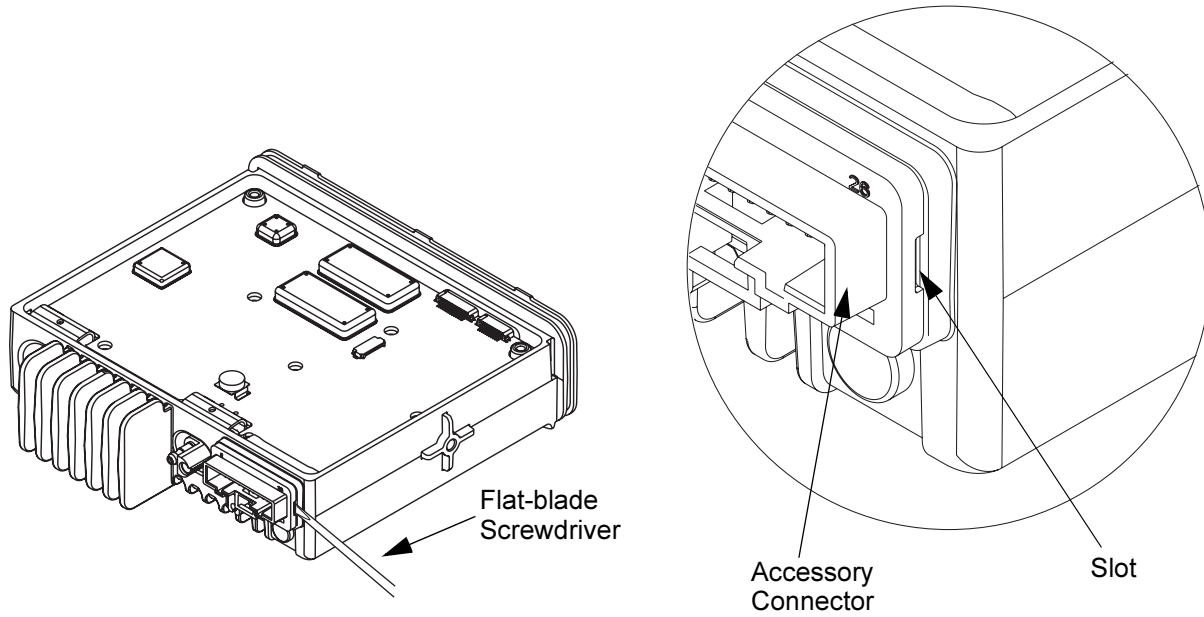


Figure 5-8. Accessory Connector Removal

4. Remove the RF/DC retention clips by gently prying them out with a flat-blade screwdriver as shown in Figure 5-9.

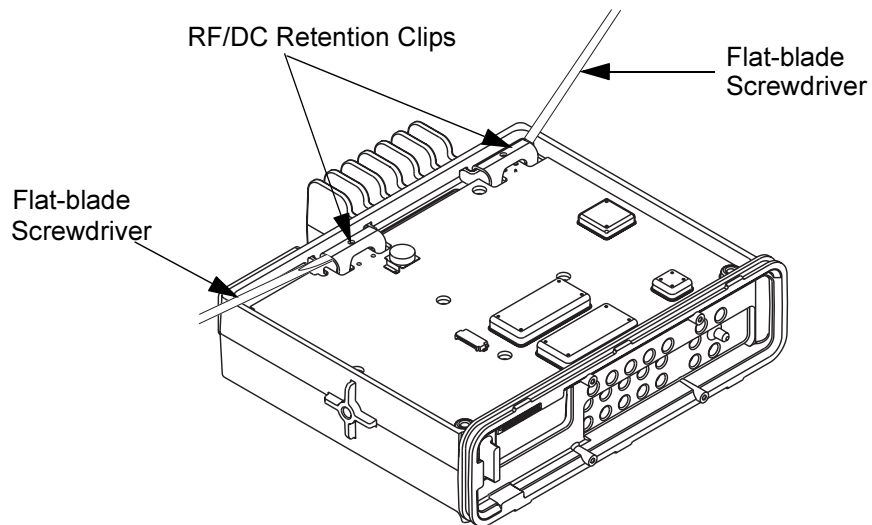


Figure 5-9. RF/DC Retention Clips Removal

5. Remove the transceiver board by sliding a finger into the opening provided at the front of the radio and gently press up on the 30-pin connector, lifting up the front of the board, as shown in Figure 5-10. Then, slide the transceiver board towards the front of the radio to allow the RF/DC connectors to clear the chassis. Handle the transceiver board by the edges only and store it in an antistatic bag.

**NOTE:** If the RF/DC connector gaskets remain in the chassis, remove them and place them back on the connectors.



Caution

The thermal pads can act as an adhesive and cause stress to critical components on the transceiver board if the transceiver board is lifted too quickly.

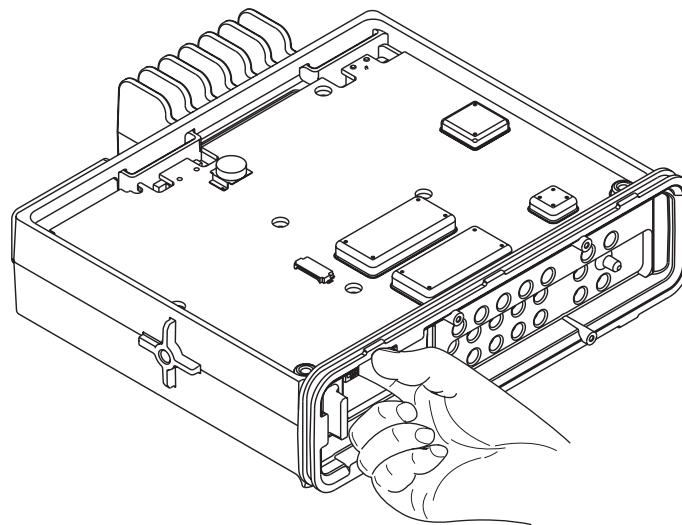


Figure 5-10. Transceiver Board Removal

## 5.8 Transmit and Receive Radio Reassembly — Detailed

The following reassembly procedures are applicable to both the Transmit and Receive radios.

1. Prior to reassembling the radio, inspect all seals and sealing surfaces for damage (nicks, cuts, etc.) or debris. Refer to the exploded view and bill of materials for the correct part numbers and replace parts, as necessary. Reseat all new seals on their respective parts.

For both the die cast cover and the chassis, thoroughly inspect the shield gasketing for damage and verify all thermal pads are in place and free from damage and debris. See Section 5.8.2: Thermal Pad Replacement Procedure on page 5-19 to replace damaged pads.

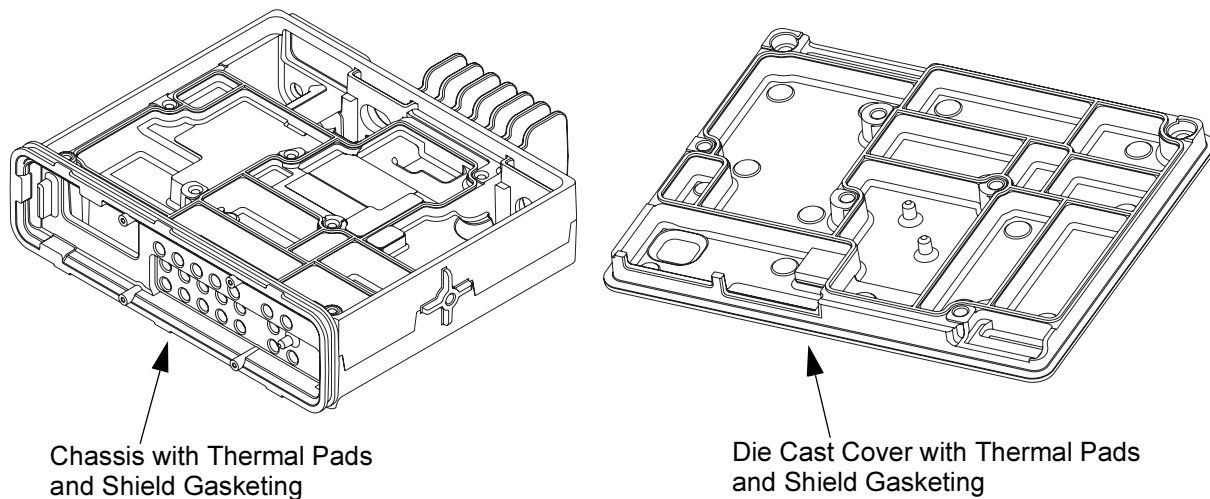


Figure 5-11. Thermal Pads and Shield Gasketing on Chassis and Die Cast Cover

2. Thoroughly inspect the transceiver board and verify all thermal pads are in place and free from damage. See Section 5.8.2: Thermal Pad Replacement Procedure on page 5-19 to replace damaged pads.

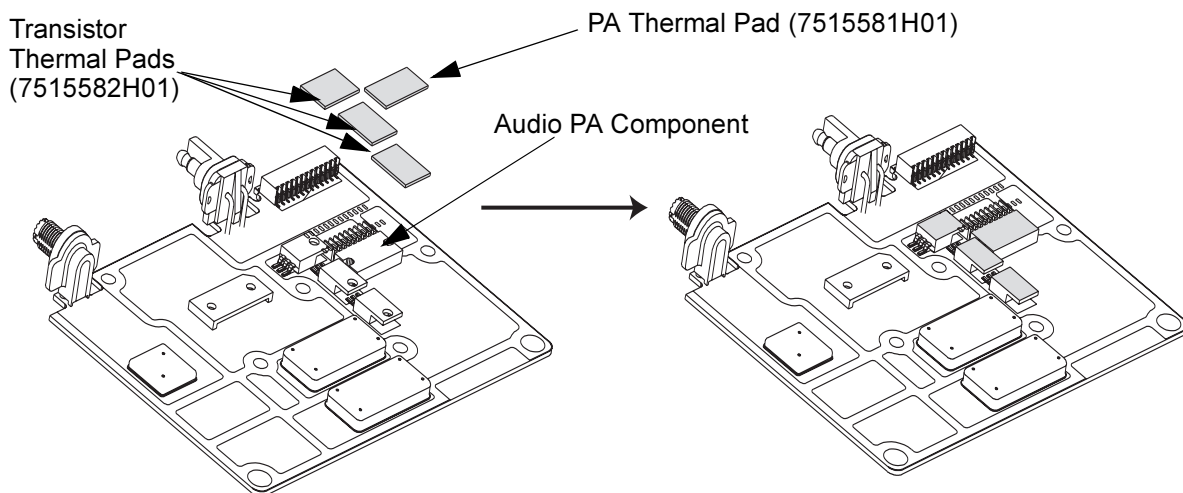


Figure 5-12. Transceiver Board with Thermal Pads

3. Assembly of the GPS Plug  
Push the GPS plug into the chassis opening until it is fully seated. Refer to Figure 5-13.

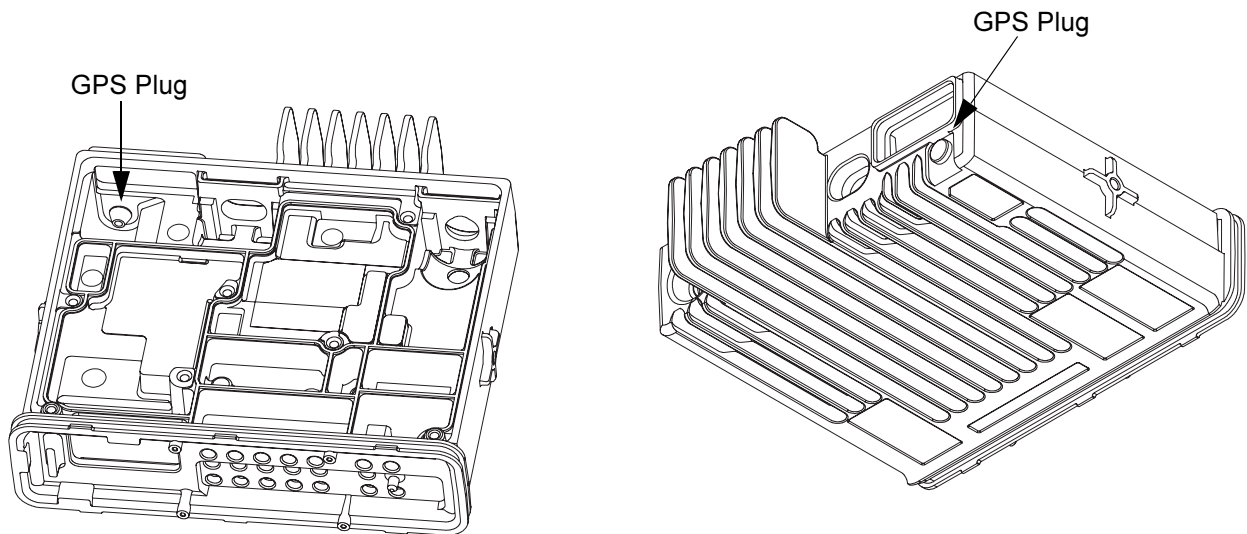


Figure 5-13. Replacing GPS Plug

### 5.8.1 Transceiver Board and Receiver Board Reassembly

1. Insert the transceiver board into the chassis by tilting the transceiver board (approximately 30 degrees) and sliding it into place, taking care to line up the RF and DC connectors with the openings in the back of the chassis.

Ensure that the transceiver board alignment holes are positioned over the chassis alignment bosses and then push the board down to fully seat.

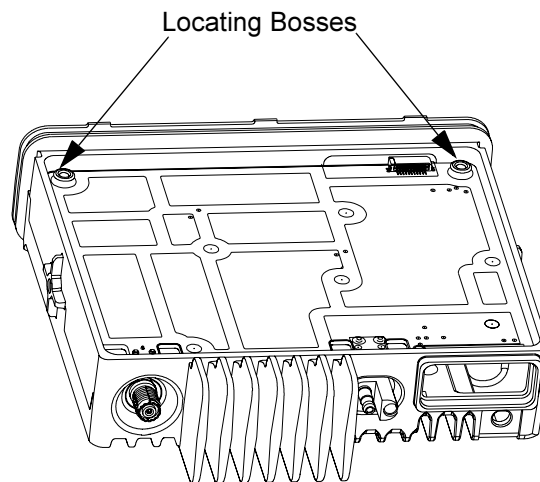


Figure 5-14. Placing the Transceiver Board in the Chassis



**Caution**

Do not leave the transceiver board in the chassis for extended periods of time without the RF/DC retention clips, or damage to the board connectors may occur.

2. Insert the RF/DC retention clips and fully seat them. The DC clip should be inserted first to properly locate the transceiver board. Refer to Figure 5-15.

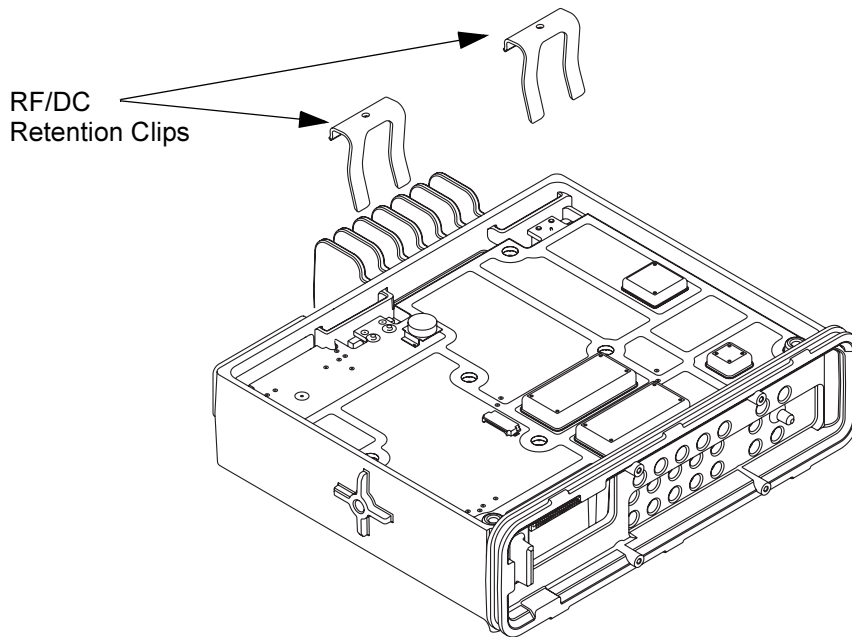


Figure 5-15. Inserting RF/DC Retention Clips

3. Insert the accessory connector into the radio assembly and press into place until the connector is flushed with the chassis. Refer to Figure 5-16.

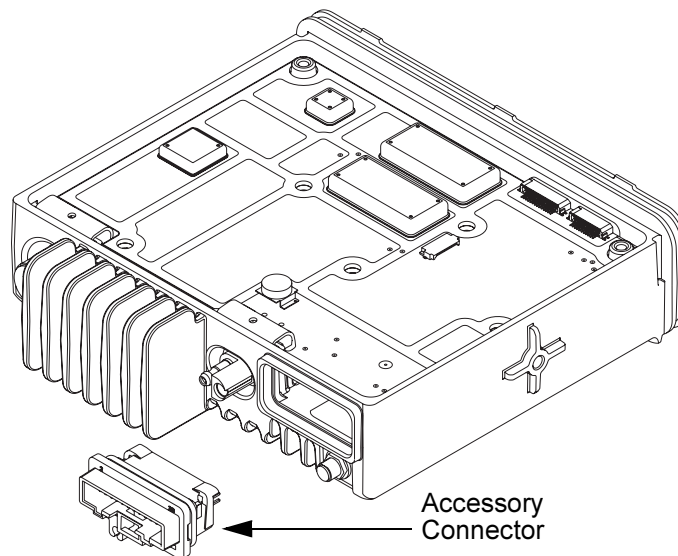


Figure 5-16. Inserting Accessory Connector



4. Place the PA pad on to the die cast cover by aligning the two holes in the PA pad with the alignment pins on the die cast cover.
5. Fit the O-ring onto the die cast cover securely. Refer to Figure 5-17.

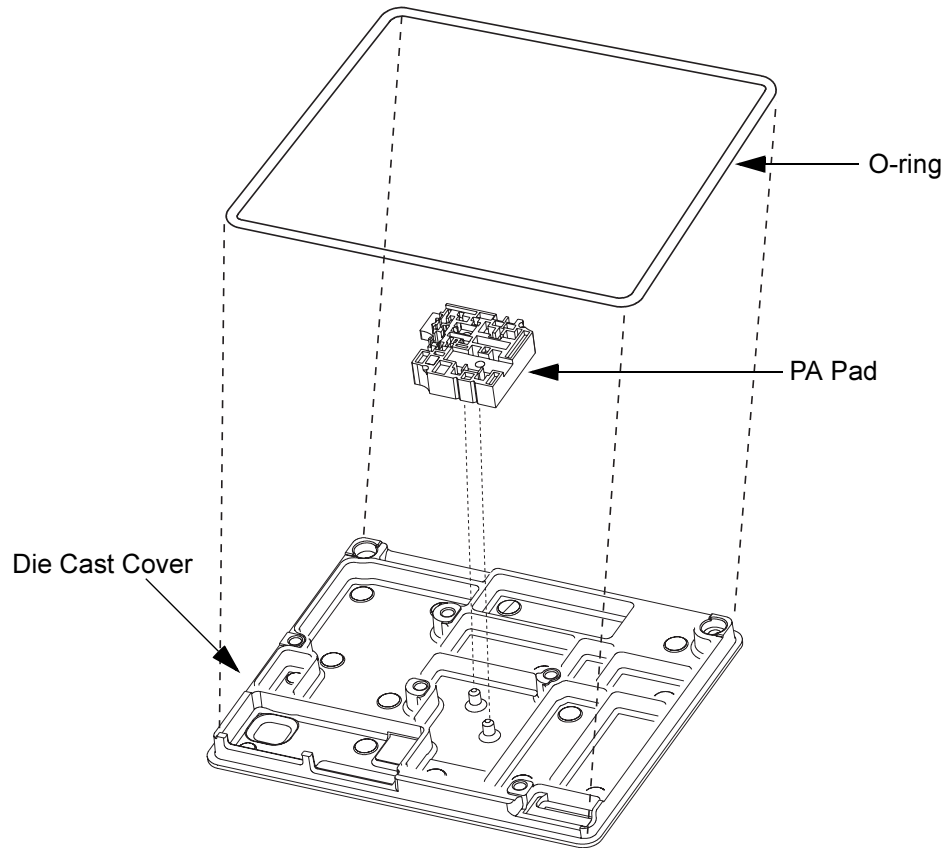


Figure 5-17. Assembling of PA Pad and O-ring

- Place the die cast cover onto the chassis orienting the die cast cover so that screw holes 6 and 7 align with the bosses on the chassis as shown in Figure 5-18.

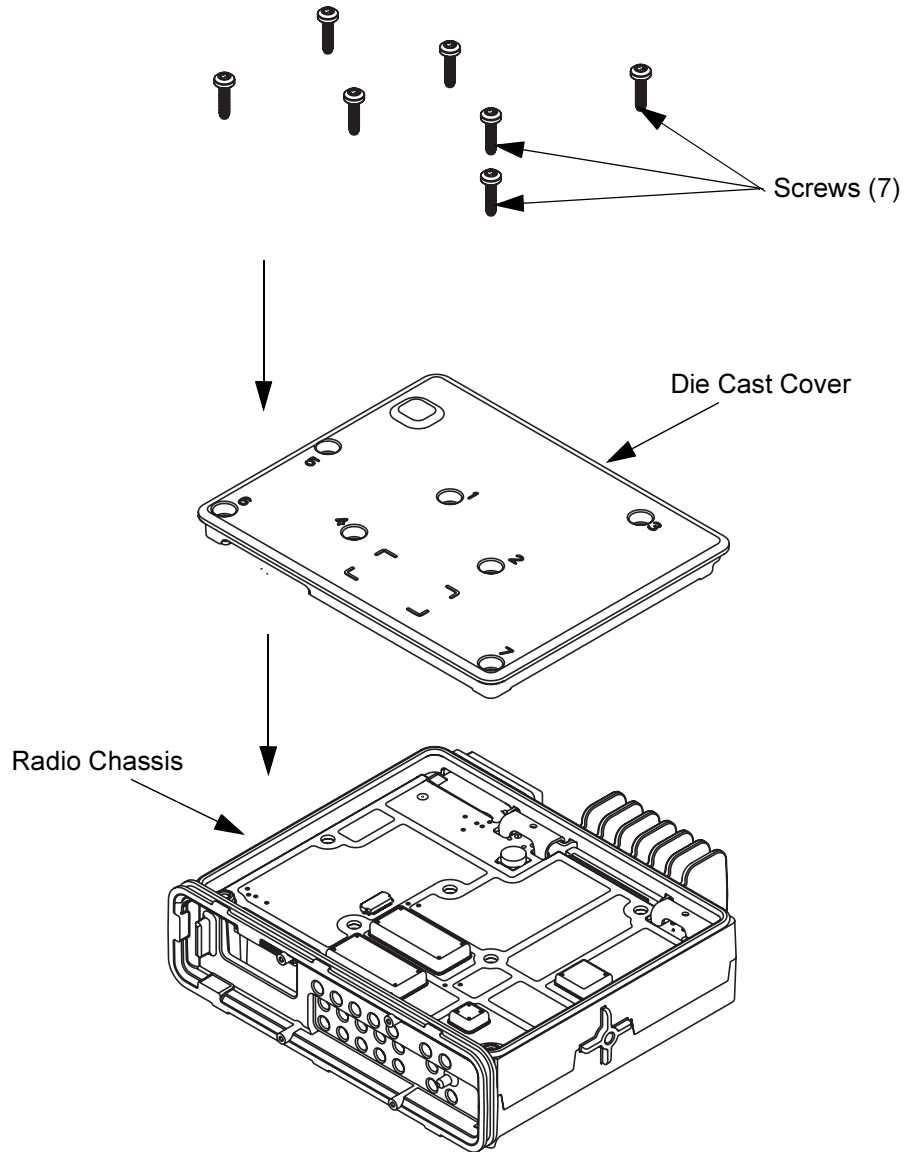


Figure 5-18. Assembling Die Cast Cover onto Chassis

7. Using a T20 TORX™ driver, tighten the seven screws between 2.94 N-m (26 lbs-in) in the order shown in Figure 5-19.
8. Repeat tightening the seven screws in the order shown otherwise the first three screws will likely be loose.

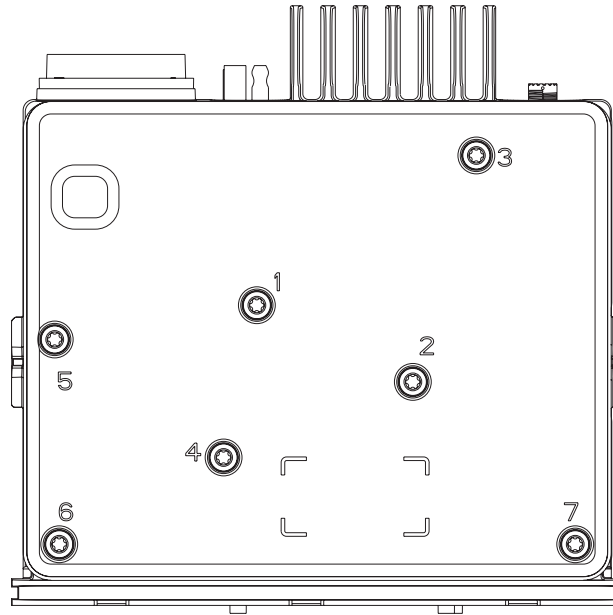


Figure 5-19. Screw Sequence to Tighten Die Cast Cover

## 5.8.2 Thermal Pad Replacement Procedure

### A. Chassis Thermal Pad Replacement Procedure

#### Harmonic Filter Thermal Pad Replacement

1. Use a plastic flat-edge tool to lift the pad from the chassis surface. Discard the old pad.
2. Use a soft cloth to remove any remaining residue. Alcohol can also be used, if necessary. Care should be taken to minimize any cleaning-agent contact with the surrounding shield gasket.
3. Once the surface is clean and dry, remove the new pad from the shipping liner, and place it white side down on the chassis as shown in Figure 5-20.

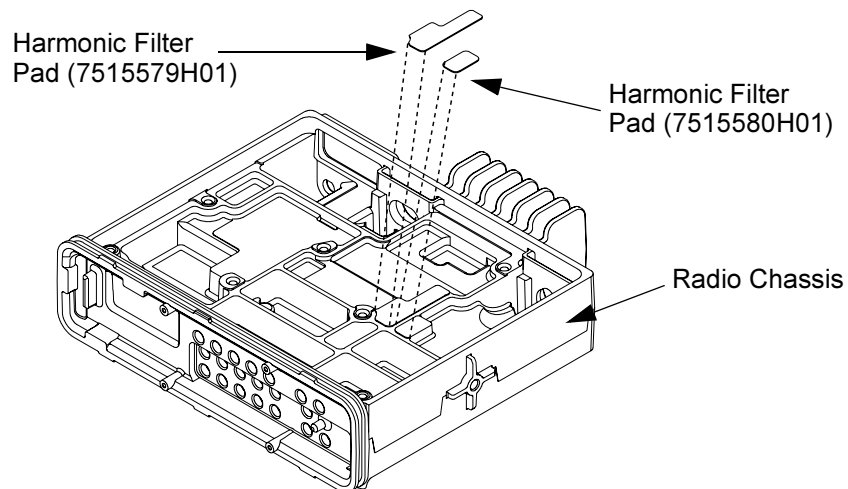


Figure 5-20. Replacing Thermal Pads

### Driver Thermal pad Replacement

1. Use a plastic flat-edge tool to lift the pad from the chassis surface. Discard the old pad.
2. Use a soft cloth to remove any remaining residue. Alcohol can also be used, if necessary. Care should be taken to minimize any cleaning-agent contact with the surrounding shield gasket.
3. Once the surface is clean and dry, remove the new pad from the shipping liner, and place the pad on to the chassis, aligning the edges of the pad with the edges of the chassis, as shown in Figure 5-21.

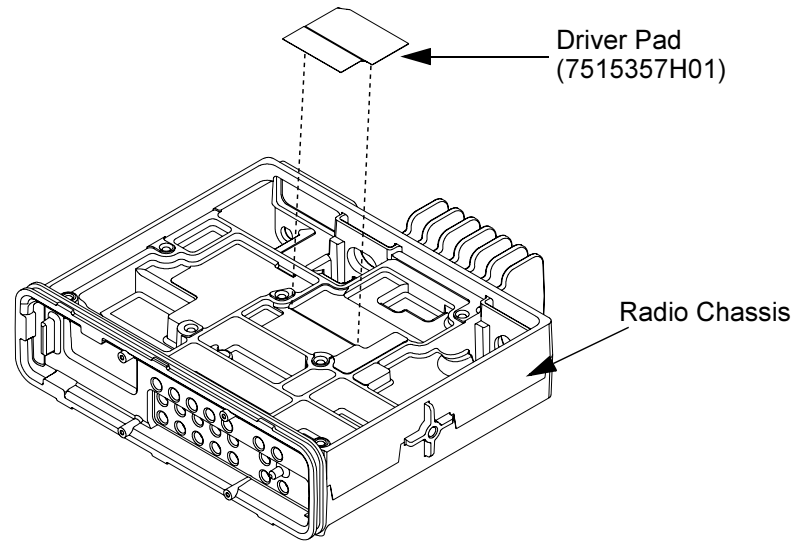


Figure 5-21. Aligning Driver Pad on Chassis

4. Apply even pressure to the pad and remove the protective liner.

### B. Transceiver Board Thermal Pad Replacement Procedure

#### Transistor Thermal Pads and PA Thermal Pad Replacement

1. Use a plastic flat-edge tool to lift each pad from the transceiver board. Discard the old pads.
2. Use a soft cloth to remove any remaining residue. Alcohol can also be used, if necessary.
3. Once the surface is clean and dry, remove each new pad from the shipping liner, and place in the proper location on top of each transistor component and the audio PA with the white side down (see Figure 5-22).

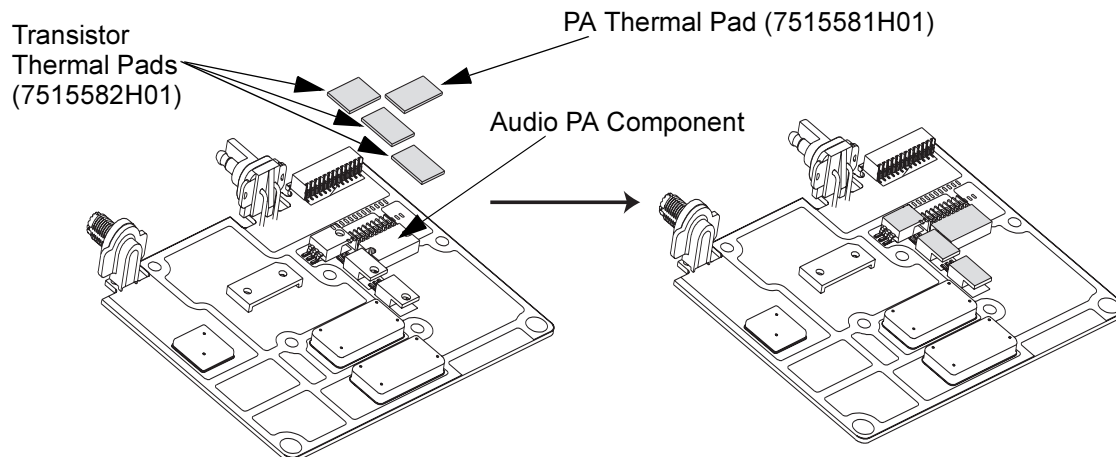


Figure 5-22. Placing Thermal Pads on PA and Transistor Components

### 5.8.3 Reassembly of Receive Radio, Power Supply and Connector Board Assembly

(Refer to Figure 5-6)

Visually inspect repeater enclosure to ensure that no metal shavings or debris are found.

#### 5.8.3.1 Reassembly of Power Supply

1. Align the two mounting holes on each side of the bracket with the mounting holes on the power supply.
2. Secure the power supply and the bracket with four M5 screws and washers.
3. Tighten the four M5 screws to 3.0 N-m.
4. Firmly connect the single connection end of Y-split cable to power cable of power supply.

#### 5.8.3.2 Reassembly of Receive Radio

1. Insert the Receive radio into the top half of the bracket.
2. Align mounting hole on each side of the receive chassis to the mounting holes on the bracket.
3. Secure the Receive radio and the bracket with two M5 screws and washers.
4. Tighten the two M5 screws to 3.0 N-m.

#### 5.8.3.3 Reassembly of Connector Board Assembly

1. Align the five mounting holes on the connector board assembly onto the five standoffs on the receive bracket and install five M3 screws.
2. Tighten the five M3 screws to 1.0 N-m.

#### 5.8.3.4 Reassembly of the Receive Bracket Assembly to the Enclosure

1. Align and mount the receive bracket assembly onto the five stud screws in the enclosure.
2. Ensure that the dimple locator (bump) on the enclosure is nested within the hole on the receive bracket before installing and tightening the lock nuts.
3. Tighten the five lock nuts to 2.0 N-m.

**NOTE:** The two lock nuts at the side on base will require a magnetic lock nut driver with extension of greater than 150 mm).

4. Connect the antenna cable to the Receive radio.
5. Insert the BNC connector of the antenna cable through the back panel of the enclosure and secure it using a lock washer and nut.
6. Tighten the nut to 0.7 N-m using a 16 mm deep well socket driver.
7. Firmly connect one of the connectors from the dual end of Y-split cable to the Receive radio.

**NOTE:** All cables (except the antenna cable), are routed at the bottom rear receive bracket.

8. Insert the accessory connector through the opening of the enclosure onto the edge of the connector board assembly.
9. Make sure that the accessory connector is completely inserted onto the connector board assembly and the back end surface of the accessory connector is flushed firmly against the back panel of enclosure.
10. Mount the retainer clip and secure it with two M4 screws.
11. Tighten the screws to 2.0 N-m.

12. Insert the solder terminal end of the SSI cable into the 11-position connector at the front face of Receive radio. A dashed black line is visible from the top view.

## 5.8.4 Reassembly of Transmit Radio

(Refer to Figure 5-5)

### 5.8.4.1 Replacing the Thermal Pad and Heatsink

1. Make sure that mating surfaces of Heatsink and Transmit radio are cleaned and free from any debris.
2. Align the holes on the thermal pad to the screw holes in the Transmit radio and place thermal pad onto the Transmit radio.
3. Align the holes on the heatsink to the screw holes in the Transmit radio and place heatsink onto the thermal pad.
4. Secure but do not tighten the seven screws previously removed.
5. When all seven screws are secured, tighten the screws to 1.0 N-m. Refer to Figure 5-19.

### 5.8.4.2 Reassembly of the Transmit Bracket Assembly to the Enclosure

1. Position the Transmit radio onto the transmit bracket so that the label "FRONT" on bracket is facing the front face of radio.
2. Align the mounting holes on the Transmit radio and the transmit bracket on both sides.
3. Attach and secure the M5 screws and washers on each side of the bracket.
4. Tighten the screws to 3.0 N-m, making sure the Transmit radio remains horizontal.
5. Align and mount the transmit bracket assembly onto the four stud screws in the enclosure.
6. Ensure that dimple locator (bump) on the enclosure is nested within the hole on the transmit bracket before installing and tightening the lock nuts.
7. Secure the four lock nuts (two on each side) onto the stud screws.
8. Tighten the four lock nuts to 2.0 N-m.
9. Connect the antenna cable to the Transmit radio.
10. Insert the N-Type connector of the antenna cable through the back panel of the enclosure and secure it using a lock washer and nut.
11. Tighten the nut to 0.7 N-m using a 19 mm deep well socket driver.
12. Firmly connect one of the connectors from the dual end of Y-split cable to the Transmit radio.
13. Connect the black colored end of accessory cable connector to rear of Transmit radio making sure that the locking connector tab is facing up.
14. Connect the white colored end of the accessory cable connector to the connector board assembly making sure that the locking connector tab is facing toward the front of repeater.

**NOTE:** Make sure that the accessory connectors at both ends are locked in place. A clicking sound can be heard from the locking tab.

15. Insert the solder terminal end of the SSI flex cable (positioned bottom side of PCB) into the 11-position connector in the Transmit radio. A solid black line is visible from the top view.
16. Insert the solder terminal end of the flex cable (positioned top side of PCB) into the 30-position connector in the Transmit radio. A solid blue line is visible from the top view.

### 5.8.5 Reassembly of Fan

1. Position the fan in the enclosure with arrow pointing outward and the wires on the fan at the bottom right corner of the fan.

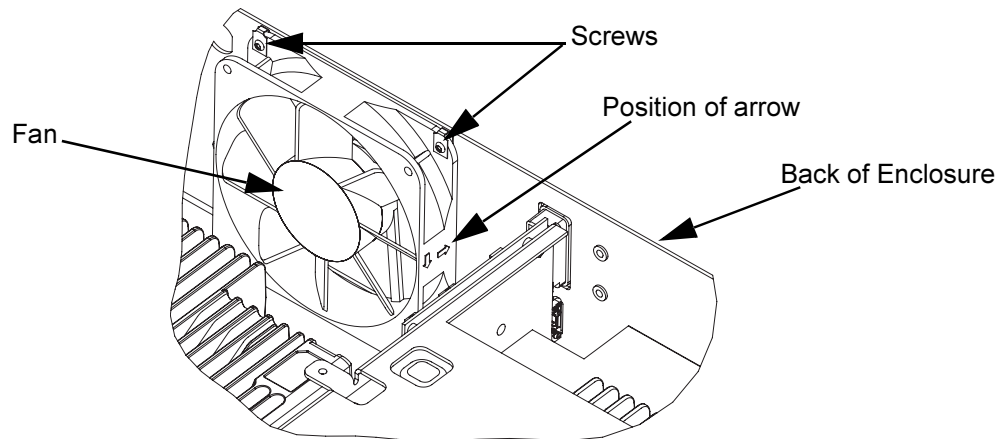


Figure 5-23. Fan Orientation

2. Position the fan grill outside of the enclosure aligning with the screw holes.
3. Install four 3.5 mm screws through the fan grill, the rear panel of the enclosure and onto the fan clip.
4. Secure the fan and tighten the four screws to 1.2 N-m through each of the fan clip.
5. Plug the fan cable plug into the 4-position fan connector on the connector board assembly.

**NOTE:** It is recommended that you dress and tie wrap the blue ethernet cable and the fan cables.

### 5.8.6 Reassembly of Repeater Indicator Board

Refer to Figure 5-3.

1. Holding Repeater Indicator Board on outer edge, insert the clips of light guide into mounting holes, making sure the light guide snaps into place.
2. Align the four mounting holes on the Repeater Indicator Board onto the four standoffs on the front panel.
3. Install and secure the four M3 screws.
4. Tighten the four M3 screws to 1.0 N-m.
5. Use the four M6 screws to secure the front panel onto the enclosure. Tighten the screws to 3.7 N-m.
6. Connect the blue ethernet cable onto the ethernet connector on the Repeater Indicator Board.
7. Insert the flex cable onto the 30-position connector on the Repeater Indicator Board. The solder terminal end of the flex cable is faced towards the front panel. A solid black line is visible from the top view.

### 5.8.7 Reassembly of Cover

1. Place the cover on the enclosure.
2. Secure the two M4 screws on each side of the cover and one at the top. Tighten the screws to 2.0 N-m.

### 5.9 Repeater Exploded Mechanical Views and Parts Lists

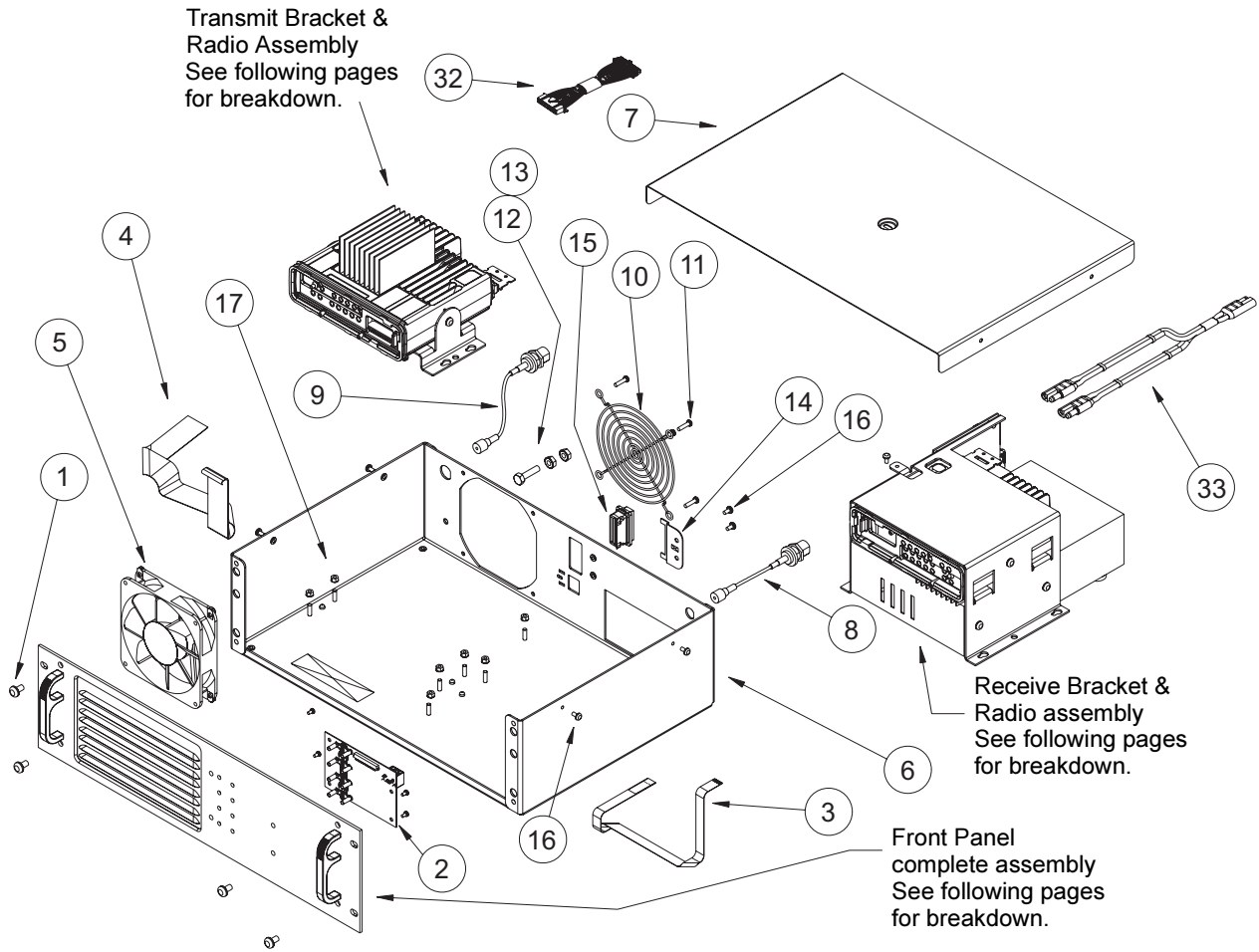


Figure 5-24. Repeater Assembly Exploded View



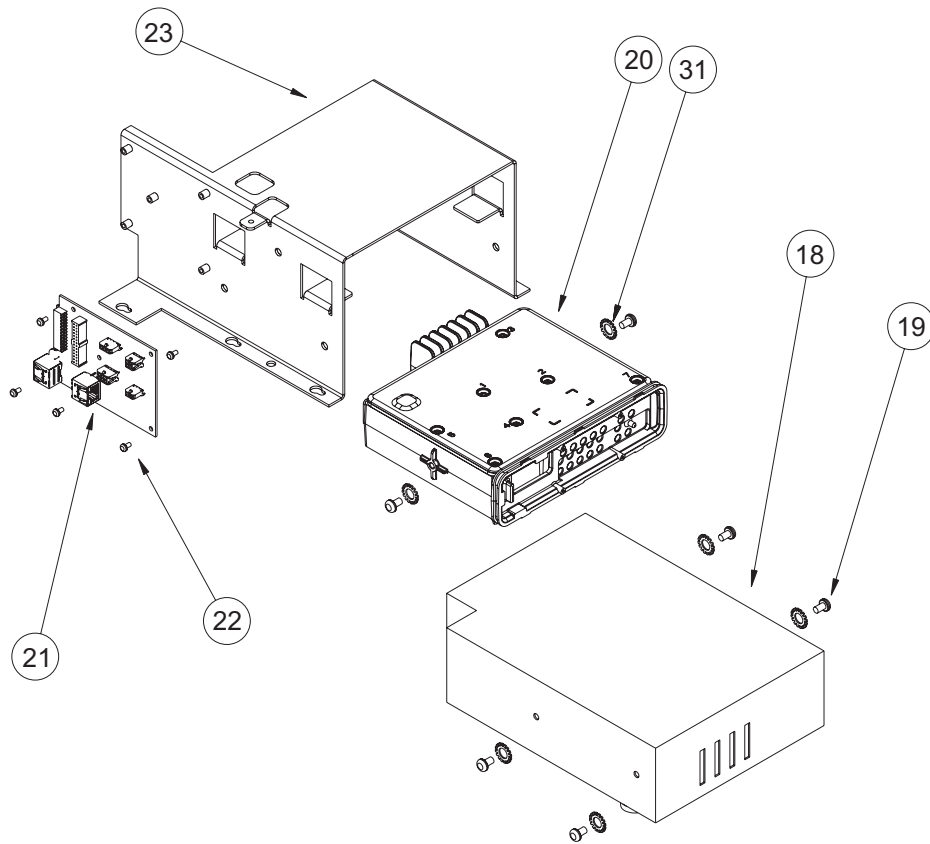


Figure 5-25. Receive Bracket and Radio Assembly Exploded View

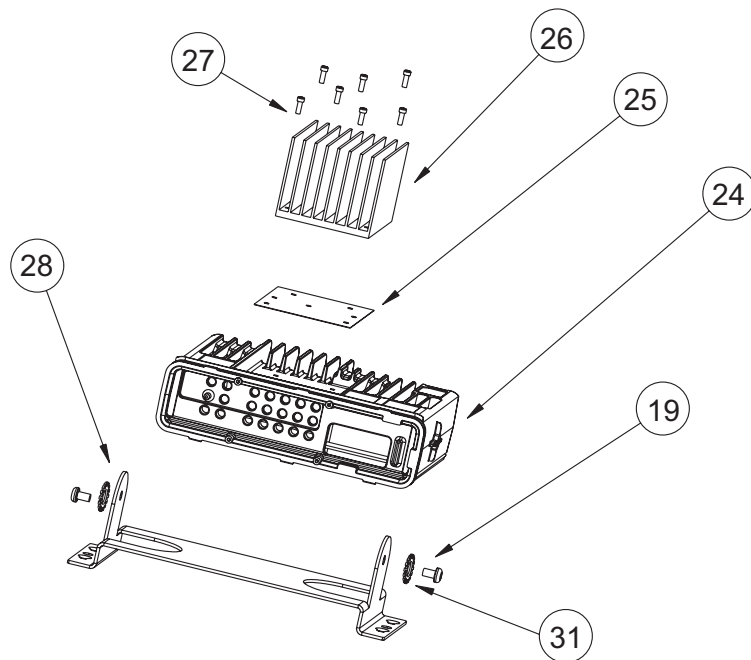


Figure 5-26. Transmit Bracket and Radio Assembly Exploded View

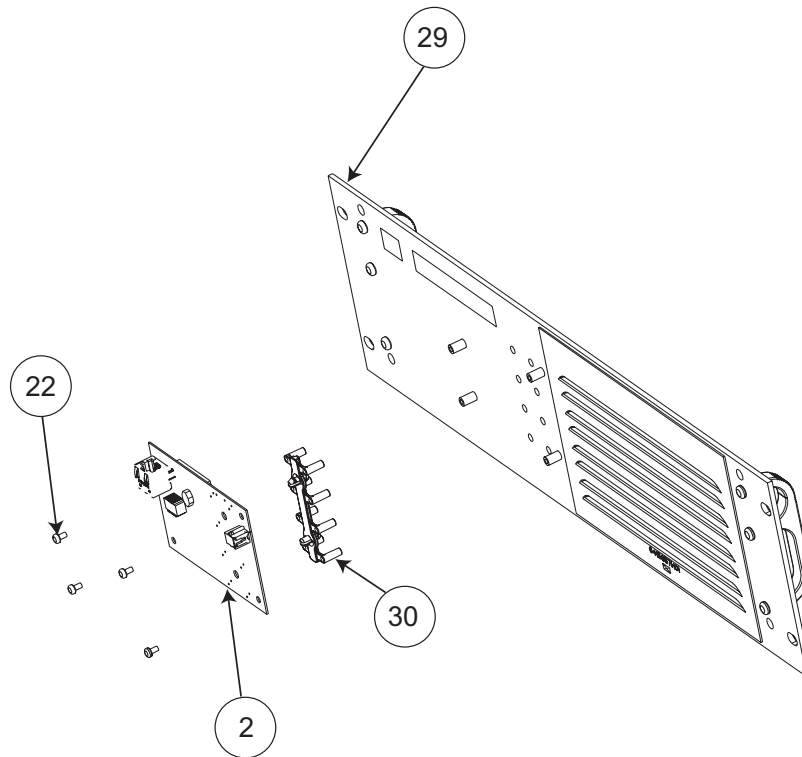


Figure 5-27. Front Panel Complete Assembly Exploded View

Table 5-3. Repeater Exploded View Parts List

| Item No. | Description                                | Part Number |
|----------|--|-------------|
| 1        | Screw, TT6x1.0x10, Starpan, EM6219 (black) | 0312016A54  |
| 2        | Repeater Indicator Board                   | PMLN4814_   |
| 3        | Cable, Flex SSI                            | 3015639H01  |
| 4        | Cable, Flex 30-Position                    | 3015634H01  |
| 5        | Fan Assembly                               | 5915618H01  |
| 6        | Enclosure Assembly                         | 1515837H01  |
| 7        | Top Cover                                  | 1515655H01  |
| 8        | Cable, RF Tx, W/N-Type                     | 3015573H01  |
| 9        | Cable, RF Rx, W/BNC                        | 3015574H01  |
| 10       | Fan Grill                                  | 1383852R01  |
| 11       | Screw, TT3.5x0.6x16, Star SLT Pan          | 0310909E50  |
| 12       | M6 Ground Nut                              | 0285854Y01  |
| 13       | M6 Ground Screw                            | 0310909A95  |
| 14       | Accessory Retainer Clip                    | 4216361H01  |
| 15       | Accessory Connector                        | 0178042A01  |
| 16       | Screw, M4x0.7x13.0, Starpan STLZNC         | 0310909E63  |

Table 5-3. Repeater Exploded View Parts List

| Item No. | Description                                      | Part Number |
|----------|--|-------------|
| 17       | Lock Nut M4                                      | 0285854Y02  |
| 18       | Power Supply                                     | PMPN4001_   |
| 19       | Screw, M5x0.8x8.0, Starpan STLZNC                | 0310909A74  |
| 20       | Receive Radio Brick Assembly                     | PMTE4004_   |
| 21       | Connector Board Assembly                         | PMLN4815_   |
| 22       | Screw, M3x0.5x5, Starpan STLZNC                  | 0310909A30  |
| 23       | RX Bracket Assembly                              | 0715656H01  |
| 24       | Transmit Radio Brick Assembly                    | PMTE4004_   |
| 25       | Thermal Pad                                      | 7515633H01  |
| 26       | Heatsink   | 2615620H01  |
| 27       | Screw, M3x0.5x10, Starpan STLZNC                 | 0310909A33  |
| 28       | Tx Bracket                                       | 0715654H01  |
| 29       | Front Panel Assembly only (handles not included) | 6415658H04  |
| 30       | Light Guide                                      | 6116326H01  |
| 31       | Washer   | 0400002647  |
| 32       | Cable Assembly, Tx to Connector Board            | 3015570H01  |
| 33       | Cable, Power, Y-Split                            | 3085859M01  |

## 5.10 Torque Chart

Table 5-4 lists the various nuts and screws by part number and description, followed by the torque values in different units of measure. Torque all screws to the recommended value when assembling the repeater.

Table 5-4. Torque Specifications for Nuts and Screws

| Part Number | Description  | Driver/ Socket         | Torque |        |       |
|-------------|--|------------------------|--------|--------|-------|
|             |  |                        | N-m    | lbs-in | kg-cm |
| 0285854Y01  | Grounding Nut, M6                                      | 10 mm dip socket       | 2.0    | 17.70  | 20.4  |
| 0285854Y02  | Lock Nut, M4 x 0.8, ext tooth                          | 7 mm socket            | 2.0    | 17.70  | 20.4  |
| 0310909A30  | Screw, M3.0 x 0.5 x 5 mm                               | T10 Torx™              | 1.0    | 8.9    | 10.2  |
| 0310909A33  | Screw, M3 x 0.5 x 10 mm                                | T10 Torx™              | 1.0    | 8.9    | 10.2  |
| 0310909A74  | Screw, M5 x 0.8 x 8 mm                                 | T25 Torx™              | 3.0    | 26.6   | 30.6  |
| 0310909E50  | Screws, M3.5 x 0.5 x 16 mm                             | T15 Torx™              | 1.2    | 10.6   | 12.2  |
| 0310909A95  | Grounding Screw, M6 x 1 x 25                           | T30 Torx™              | 2.0    | 17.7   | 20.4  |
| 0312016A54  | Screws, TT6 x 1.0 x 10 mm<br>Star Thread Rolling Screw | T30 Torx™              | 3.7    | 32.7   | 37.7  |
| 0310909E63  | Screw, M4 x 0.7 x 7 mm,<br>Slotted Star                | T20 Torx™              | 2.0    | 17.7   | 20.4  |
| 3015574H01  | BNC Type connector                                     | 16 mm deep well socket | 0.7    | 6.2    | 7.1   |
| 3015573H01  | N Type connector                                       | 19 mm deep well socket | 0.7    | 6.2    | 7.1   |

## Notes

---

## Chapter 6 Basic Troubleshooting

### 6.1 Introduction

This chapter contains error codes and board replacement procedures. If the repeater does not pass all the performance checks in Chapter 3, then please send the repeater to a Motorola Service Center listed in Appendix A.

**NOTE:** To access the various connector pins, use the housing eliminator/test fixture along with the diagrams found in this section of the manual. (See Section, "Service Aids" on page 2-2, for the appropriate Motorola service aids and tools part numbers.)

#### 6.1.1 High Power RF Precaution



**Caution**

The repeater might transmit while the technician believes the radio is in receive mode under the following conditions: radio failure, digital affiliation, a defective PTT button, or other unintentional activations.

To avoid possible equipment damage, when performing both transmit and receive tests, a suitable attenuator rated at 100 W or more should always be used with test equipment connected to the RF connector. The only exception to this is when the equipment's input power rating is higher than the maximum output power of the repeater.

### 6.2 Replacement Service Kit Procedures

Once a problem has been isolated to a specific board, install the appropriate service kit (see Model Chart in Section 1.4 on page 1-3), which is orderable from Motorola Radio Products and Solutions Organization, see Appendix A. Refer to <http://emeaonline.motorola.com> for further information.

- If a board is replaced, it does not necessarily need to be retuned if it has been factory tuned. It should however be checked for performance before being placed into service. Of particular concern is the Bias DAC, which will need to be set for the appropriate final device bias current prior to keying up the radio. If the bias is not properly set it may be possible to cause damage to the transmitter.



**Caution**

The Tuner Tool only allows the serial number of a blank board to be entered once. Be very attentive during this procedure.

---

## 6.3 LED Indicator Descriptions

Table 6-1. LED Indicator Descriptions

| LED              | Status       | Description                               |
|------------------|--------------|---|
| Power            | Solid GREEN  | Repeater powered by AC                    |
|                  | Solid RED    | Repeater powered by back-up battery       |
|                  | Off          | Repeater powered off                      |
| Repeater Disable | Solid RED    | Repeater function disabled                |
|                  | Blinking RED | Repeater in self test mode                |
|                  | Off          | Repeater in normal operational mode       |
| Digital          | Solid BLUE   | Repeater in Digital mode                  |
| Analog           | Solid YELLOW | Repeater in Analog mode                   |
| TX-A             | Solid GREEN  | Repeater transmitting (Analog)            |
|                  | Solid GREEN  | Repeater transmitting on Slot A (Digital) |
| RX-A             | Solid YELLOW | Repeater receiving (Analog)               |
|                  | Solid YELLOW | Repeater receiving on Slot A (Digital)    |
| TX-B             | Solid GREEN  | Repeater transmitting on Slot B (Digital) |
| RX-B             | Solid YELLOW | Repeater receiving on Slot B (Digital)    |

---

# Appendix A EMEA Regional Warranty, Service and Technical Support

## 1.0 Warranty and Service Support

Motorola offers long term support for its products. This support includes full exchange and/or repair of the product during the warranty period, and service/ repair or spare parts support out of warranty. Any "return for exchange" or "return for repair" by an authorized Motorola Dealer must be accompanied by a Warranty Claim Form. Warranty Claim Forms are obtained by contacting an Authorized Motorola Dealer.

## 1.1 Warranty Period and Return Instructions

The terms and conditions of warranty are defined fully in the Motorola Dealer or Distributor or Reseller contract. These conditions may change from time to time and the following notes are for guidance purposes only.

In instances where the product is covered under a "return for replacement" or "return for repair" warranty, a check of the product should be performed prior to shipping the unit back to Motorola. This is to ensure that the product has been correctly programmed or has not been subjected to damage outside the terms of the warranty.

Prior to shipping any radio back to the appropriate Motorola warranty depot, please contact Customer Resources (Please see page A-3). All returns must be accompanied by a Warranty Claim Form, available from your Customer Services representative. Products should be shipped back in the original packaging, or correctly packaged to ensure no damage occurs in transit.

## 1.2 After Warranty Period

After the Warranty period, Motorola continues to support its products in two ways.

1. Motorola's Managed Technical Services (MTS) offers a repair service to both end users and dealers at competitive prices.
  2. MTS supplies individual parts and modules that can be purchased by dealers who are technically capable of performing fault analysis and repair.
-

## 2.0 European Radio Support Centre (ERSC)

The ERSC Customer Information Desk is available through the following service numbers:

|          |                    |              |                |
|----------|--------------------|--------------|----------------|
| Austria: | 08 00 29 75 41     | Italy:       | 80 08 77 387   |
| Belgium: | 08 00 72 471       | Luxemburg:   | 08 00 23 27    |
| Denmark: | 80 88 05 72        | Netherlands: | 08 00 22 45 13 |
| Finland: | 08 00 11 49 910    | Norway:      | 80 01 11 15    |
| France:  | 08 00 90 30 90     | Portugal:    | 08 00 84 95 70 |
| Germany: | 08 00 18 75 240    | Spain:       | 90 09 84 902   |
| Greece:  | 00 80 04 91 29 020 | Sweden:      | 02 07 94 307   |
| UK :     | 08 00 96 90 95     | Switzerland: | 08 00 55 30 82 |
| Ireland: | 18 00 55 50 21     | Iceland:     | 80 08 147      |

Or dial the European Repair and Service Centre:  
Tel: +49 30 6686 1555

Please use these numbers for repair enquiries only.

## 3.0 Piece Parts

Some replacement parts, spare parts, and/or product information can be ordered directly. If a complete Motorola part number is assigned to the part, it is available from Motorola Radio Products and Solutions Organization (RPSO). If no part number is assigned, the part is not normally available from Motorola. If the part number is appended with an asterisk, the part is serviceable by Motorola Depot only. If a parts list is not included, this generally means that no user-serviceable parts are available for that kit or assembly.

Orders for replacement parts, kits and assemblies should be placed directly on Motorola's local distribution/dealer organisation or via Motorola Online at: <http://emeaonline.motorola.com>

\* The Radio Products and Solutions Organization (RPSO) was formerly known as the Radio Products Services Division (RPSD) and/or the Accessories and Aftermarket Division (AAD).



## 4.0 Technical Support

Motorola Product Services is available to assist the dealer/distributors in resolving any malfunctions which may be encountered.

**North Europe** - Stephen Woodrow  
Telephone: +44 (0) 1256 488 082  
Fax: +44 01256 488 080  
Email: CSW066@motorola.com

**Central and East Europe** - Sigggy Punzenberger  
Telephone: +49 (0) 6128 70 2342  
Fax: +49 (0) 6128 95 1096  
Email: TFG003@email.mot.com

**Russia and Belarus** - Sergey An  
Telephone: +7 495 785 0150  
Fax: +7 495 785 0185  
Email: CSA002@email.mot.com

**Germany** - Customer Connect Team  
Telephone: +49 (0) 30 6686 1539  
Fax: +49 (0) 30 6686 1916  
Email: cgiss.emea@europe.mot.com

**Middle East and Africa** - Wayne Holmes  
Telephone: +27 11 800 7922  
Fax: +27 11 800 7923  
Email: radiosupport.za@motorola.com

**Italy** - Ugo Gentile  
Telephone: +39 0 2822 0325  
Fax: +39 0 2822 0334  
Email: C13864@email.mot.com

**France** - Armand Roy  
Telephone: +33 1 6935 7868  
Fax: +33 1 6935 7808  
Email: armand.roy@motola.com

**France** - Laurent Irrmann  
Telephone: +33 1 6935 7866  
Fax: +33 1 6935 7808  
Email: laurent.irrmann@motola.com

## 5.0 Further Assistance From Motorola

You can also contact the Customer Help Desk through the following web address.  
<http://www.motorola.com/governmentandenterprise/contactus>



---

# Glossary

This glossary contains an alphabetical listing of terms and their definitions that are applicable to portable and mobile subscriber radio products. All terms do not necessarily apply to all radios, and some terms are merely generic in nature.

| Term             | Definition  |
|------------------|---|
| <b>Analog</b>    | Refers to a continuously variable signal or a circuit or device designed to handle such signals.  |
| <b>Band</b>      | Frequencies allowed for a specific purpose.   |
| <b>CPS</b>       | Customer Programming Software: Software with a graphical user interface containing the feature set of a radio.  |
| <b>Default</b>   | A pre-defined set of parameters.  |
| <b>Digital</b>   | Refers to data that is stored or transmitted as a sequence of discrete symbols from a finite set; most commonly this means binary data represented using electronic or electromagnetic signals.                                       |
| <b>DPL</b>       | Digital Private-Line: A type of digital communications that utilizes privacy call, as well as memory channel and busy channel lock out to enhance communication efficiency.   |
| <b>FCC</b>       | Federal Communications Commission.  |
| <b>Frequency</b> | Number of times a complete electromagnetic-wave cycle occurs in a fixed unit of time (usually one second).  |
| <b>GPIO</b>      | General-Purpose Input/Output.   |
| <b>IC</b>        | Integrated Circuit: An assembly of interconnected components on a small semiconductor chip, usually made of silicon. One chip can contain millions of microscopic components and perform many functions.                              |
| <b>IF</b>        | Intermediate Frequency.   |
| <b>kHz</b>       | kilohertz: One thousand cycles per second. Used especially as a radio-frequency unit.   |
| <b>LCD</b>       | Liquid-Crystal Display: An LCD uses two sheets of polarizing material with a liquid-crystal solution between them. An electric current passed through the liquid causes the crystals to align so that light cannot pass through them. |
| <b>LED</b>       | Light Emitting Diode: An electronic device that lights up when electricity is passed through it.  |
| <b>MDC</b>       | Motorola Digital Communications.  |
| <b>MHz</b>       | Megahertz: One million cycles per second. Used especially as a radio-frequency unit.  |
| <b>Paging</b>    | One-way communication that alerts the receiver to retrieve a message.   |

---

| <b>Term</b>              | <b>Definition</b>  |
|--------------------------|--|
| <b>PC Board</b>          | Printed Circuit Board. Also referred to as a PCB.  |
| <b>PL</b>                | Private-Line Tone Squelch: A continuous sub-audible tone that is transmitted along with the carrier.   |
| <b>Programming Cable</b> | A cable that allows the CPS to communicate directly with the radio using RS232.  |
| <b>Receiver</b>          | Electronic device that amplifies RF signals. A receiver separates the audio signal from the RF carrier, amplifies it, and converts it back to the original sound waves.                        |
| <b>Repeater</b>          | Remote transmit/receive facility that re-transmits received signals in order to improve communications range and coverage (conventional operation).  |
| <b>RF</b>                | Radio Frequency: The portion of the electromagnetic spectrum between audio sound and infrared light (approximately 10 kHz to 10 GHz).  |
| <b>RX</b>                | Receive.   |
| <b>Signal</b>            | An electrically transmitted electromagnetic wave.  |
| <b>Spectrum</b>          | Frequency range within which radiation has specific characteristics.   |
| <b>Squelch</b>           | Muting of audio circuits when received signal levels fall below a pre-determined value. With carrier squelch, all channel activity that exceeds the radio's preset squelch level can be heard. |
| <b>TOT</b>               | Time-out Timer: A timer that limits the length of a transmission.  |
| <b>TPL</b>               | Tone Private Line  |
| <b>Transceiver</b>       | Transmitter-receiver. A device that both transmits and receives analog or digital signals. Also abbreviated as XCVR.   |
| <b>Transmitter</b>       | Electronic equipment that generates and amplifies an RF carrier signal, modulates the signal, and then radiates it into space.   |
| <b>TX</b>                | Transmit.  |
| <b>UHF</b>               | Ultra-High Frequency.  |
| <b>USB</b>               | Universal Serial Bus: An external bus standard that supports data transfer rates of 12 Mbps.   |
| <b>VIP</b>               | Vehicle Interface Port.  |



**MOTOROLA**

MOTOROLA and the Stylized M Logo are registered in the U.S. Patent and Trademark Office. All other product or service names are the property of their respective owners.

© 2007 Motorola, Inc.  
All rights reserved. March 2007.

[www.motorola.com/mototrbo](http://www.motorola.com/mototrbo)



6866576D03-A